

PG180-A02

256b GDDR6 x16

TALL DP + DP + DP + HDMI/DP + USB

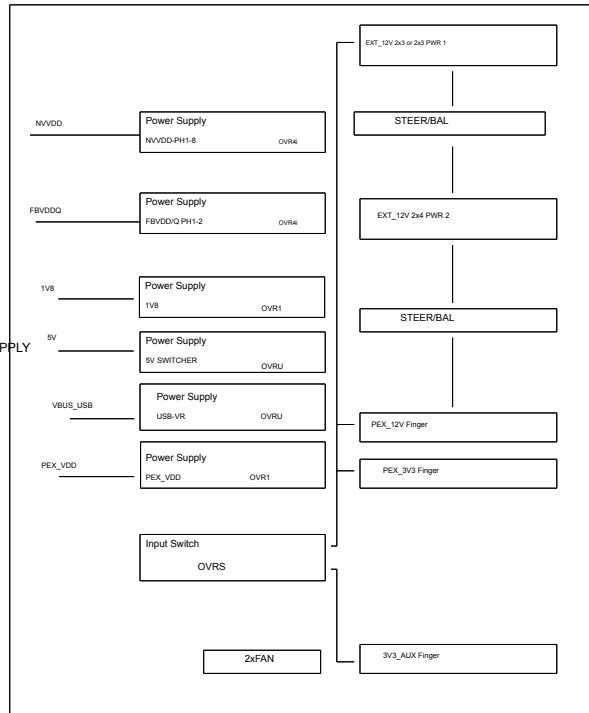
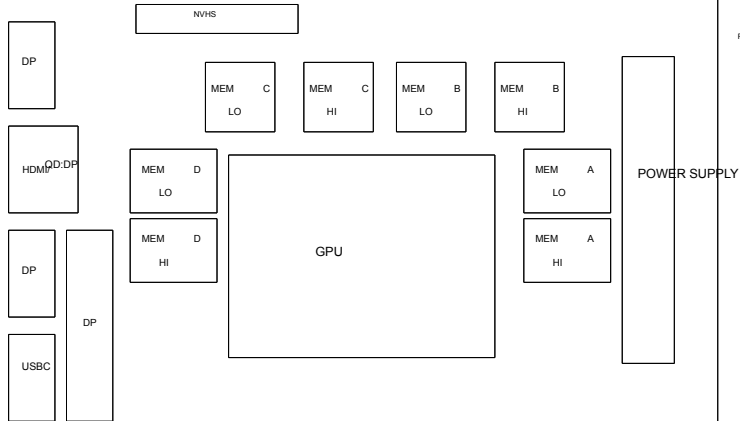
TABLE OF CONTENTS

Page	Description
1	Table of Contents
2	Block Diagram
3	PCI Express
4	PCI Termination
5	MEMORY: GPU Partition A/B
6	MEMORY: FBA Partition 31.0
7	MEMORY: FBA Partition 63.32
8	MEMORY: FBB Partition 31.0
9	MEMORY: FBB Partition 63.32
10	MEMORY: GPU Partition C/D
11	MEMORY: FBC Partition 31.0
12	MEMORY: FBC Partition 63.32
13	MEMORY: FBD Partition 31.0
14	MEMORY: FBD Partition 63.32
15	GPU PWR and GND
16	GPU Decoupling
17	GPU DECOUPLING
18	IFPAB TALL-DP
19	IFPE DP
20	IFPF USBC
21	IFPC HDMI 2.0/DP
22	IFPD DP
23	NVHS INTERFACE
24	MISC: FAN_THERMAL_JTAG,GPIO,STEREO
25	MISC: ROM, STRAPS

Page	Description
26	MISC: XTAL_PLL
27	MISC: USB PPC
28	PS: USB VR
29	PS: 5V, 5V BACKUP
30	PS: PEXVDD, 1V8
31	PS: FBVDD CONTROLLER
32	PS: FBVDD CONTROLLER OVR3
33	PS: FBVDD PHASE 1, 2
34	PS: NVVDD CONTROLLER OVR8
35	PS: NVVDD Phase 1, 2
36	PS: NVVDD Phase 3, 4
37	PS: NVVDD Phase 5, 6
38	PS: NVVDD Phase 7, 8
39	PS: INPUT SWITCH RTD3
40	PS: INPUT SWITCH RTD3 USB
41	PS: INPUT SWITCH RAIL BALANCE
42	PS: 12V CURRENT STEERING
43	PS: VR THERMAL PROTECTION
44	PS: INPUTS, FILTERING AND MONITORING
45	PS: CURRENT STEERING,HOT UNPLUG DETECT
46	PS: PRE-FILTER
47	SEQUENCE: 5V, 1V8, NV3V3 ENABLE
48	SEQUENCE: NV, PEX, FB ENABLE
49	SEQUENCE: PCIe VOLTAGE MONITOR
50	SEQUENCE: DISCHARGE

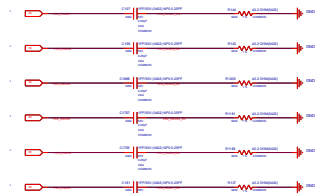
Page	Description
51	SEQUENCE: MISC
52	LED & FAN HEADERS
53	LED 2
54	Mechanical: Bracket/Thermal Solution







PLACE CLOSE TO BIT



Author:	XXXXXXXXXXXXXXXXXXXX
Revision:	001

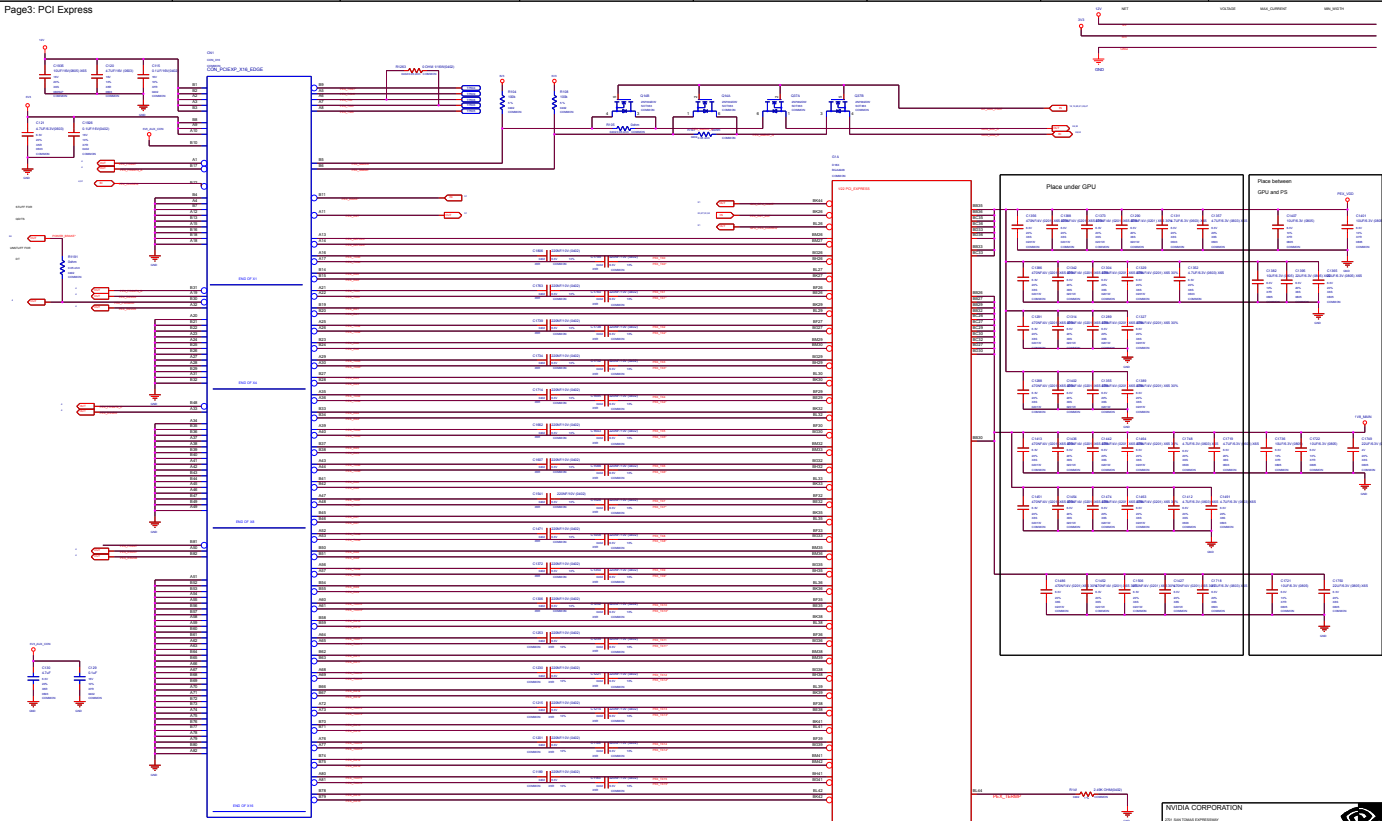
NVIDIA CORPORATION

200 Ave._classes.computer
 3000 Las Vegas, NV 89168, USA



Part#: 800-1G180-BASE-200

Rev:	0	DATE:	01/20/2011
Author:		DATE:	




NO WARRANTY OR REPRESENTATION OF MERCHANTABILITY OR FITNESS FOR ANY PARTICULAR PURPOSE IS MADE BY NVIDIA CORPORATION, ITS AFFILIATES OR SUBSIDIARIES. NVIDIA CORPORATION, ITS AFFILIATES OR SUBSIDIARIES SHALL BE LIABLE FOR DAMAGES ONLY TO THE EXTENT OF THE ACTUAL AND FORESEEABLE DAMAGES INCURRED BY THE USER OR END USER. NVIDIA CORPORATION, ITS AFFILIATES OR SUBSIDIARIES SHALL NOT BE LIABLE FOR ANY OTHER DAMAGES, INCLUDING BUT NOT LIMITED TO, SPECIAL, INCIDENTAL, OR CONSEQUENTIAL DAMAGES, OR ANY DAMAGES FOR LOSS OF PROFITS, BUSINESS INTERRUPTION, OR ANY OTHER COMMERCIAL DAMAGES OR LOSSES, ARISING FROM OR OUT OF THE USE OF THIS PRODUCT, OR ANY DAMAGES FOR LOSS OF PROFITS, BUSINESS INTERRUPTION, OR ANY OTHER COMMERCIAL DAMAGES OR LOSSES, ARISING FROM OR OUT OF THE USE OF THIS PRODUCT, OR ANY DAMAGES FOR LOSS OF PROFITS, BUSINESS INTERRUPTION, OR ANY OTHER COMMERCIAL DAMAGES OR LOSSES, ARISING FROM OR OUT OF THE USE OF THIS PRODUCT.

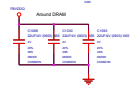
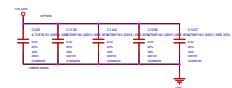
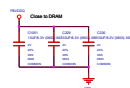
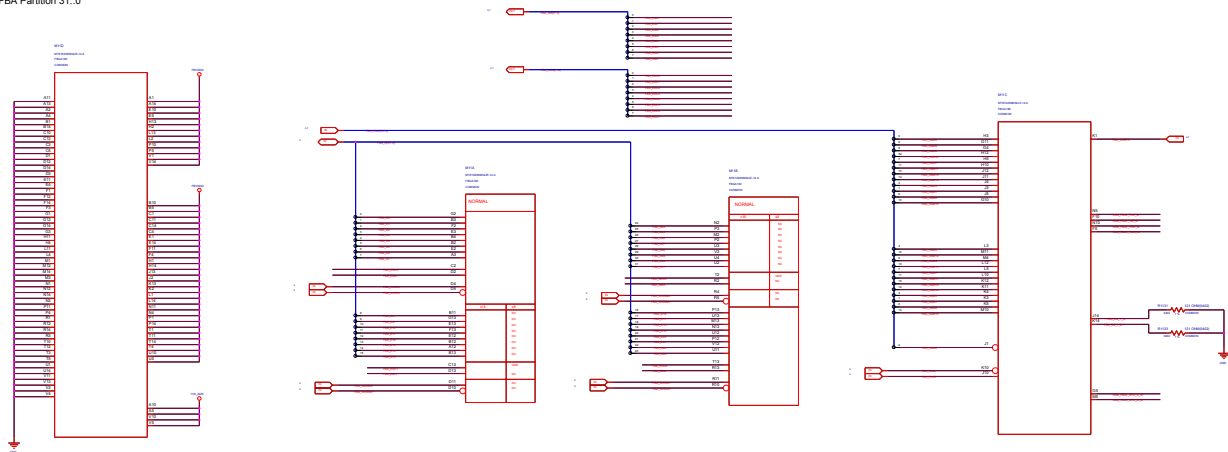
Version:	1.0
Revision:	1.0

NVIDIA CORPORATION
 2700 Ave. Thomas Expressway
 Santa Clara, CA 95051, USA

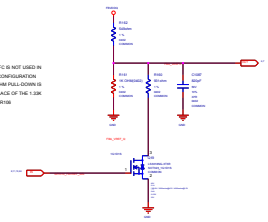
REV: **1.0** **100-10180 BASE 200**

DATE:	01/11/2011	TIME:	10:57:07
USER:





MEMC IS NOT USED IN
THIS CONFIGURATION
NO DIM FULL-DOWN IS
REPLACE OF THE 1.5K
RIG-4106




REV	DESCRIPTION
1.0	MEMORY FOR PART 31..0

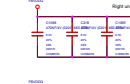
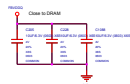
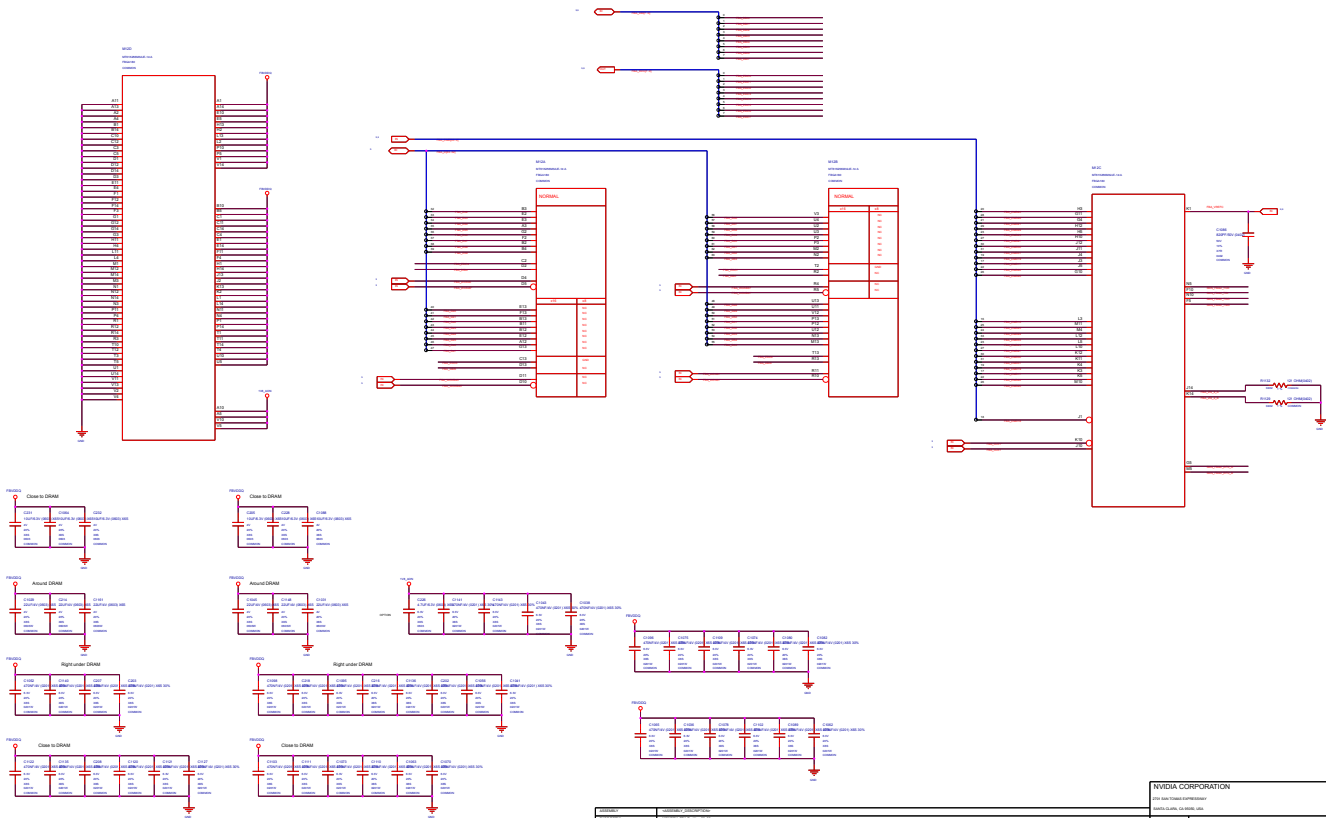
INTELA CORPORATION
2200 VIA EUROPE DRIVE
SANTA CLARA, CALIFORNIA 95050

REV: 1.0 800-1G180-BASE-200

DATE: 11/11/00 PART: 800-1G180-BASE-200



THIS DOCUMENT CONTAINS INFORMATION THAT IS UNCLASSIFIED AND IS BEING RELEASED UNDER THE NATIONAL ARCHIVES' PRESIDENT JOHN F. KENNEDY ASSASSINATION FILES RELEASE PROGRAM. IT IS THE PROPERTY OF INTEL CORPORATION AND IS LOANED TO YOUR ORGANIZATION. IT AND ITS CONTENTS ARE NOT TO BE DISTRIBUTED OUTSIDE YOUR ORGANIZATION. IF YOU ARE NOT AN EMPLOYEE OF INTEL CORPORATION, YOU ARE NOT TO DISCLOSE THE CONTENTS OF THIS DOCUMENT TO ANY OTHER PERSON. RETURN THIS DOCUMENT TO THE SOURCE FROM WHICH IT WAS OBTAINED. IF YOU HAVE ANY QUESTIONS, CONTACT THE SOURCE.




REV	DATE	DESCRIPTION
001	2010-08-02	Initial Release
002	2010-08-02	Update to include BOM

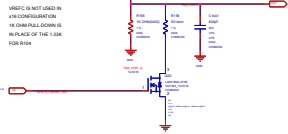
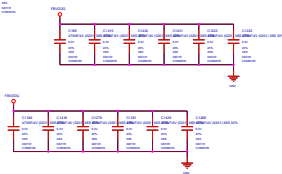
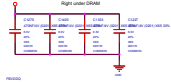
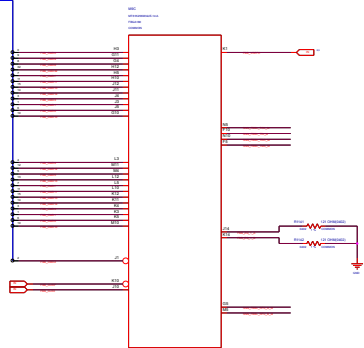
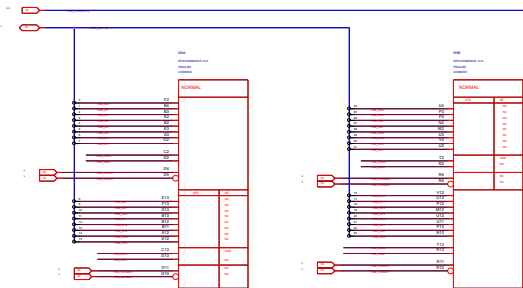
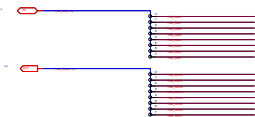
NVIDIA CORPORATION
 2700 Bay Street, Santa Clara, CA 95051, USA
 TEL: 415.769.0240 FAX: 415.769.0241
 WWW: www.nvidia.com

Part Number: **805-IG160-BASE-210**

REV: 001 DATE: 2010-08-02



This document contains confidential information and is intended for use only by the individual named. If you are not the named individual you should not disseminate, distribute or copy this document. If you have any questions regarding copyright, confidentiality or any other issues, please contact your local NVIDIA representative for more information. NVIDIA and the NVIDIA logo are trademarks of NVIDIA Corporation. All rights reserved. 2010 NVIDIA Corporation. All rights reserved.




THIS DOCUMENT IS UNCLASSIFIED EXCEPT WHERE SHOWN OTHERWISE. IT IS THE PROPERTY OF NVIDIA CORPORATION AND IS LOANED TO YOUR ORGANIZATION. IT AND ITS CONTENTS ARE NOT TO BE DISTRIBUTED OUTSIDE YOUR ORGANIZATION. IT IS TO BE DESTROYED WHEN NO LONGER NEEDED. FOR INFORMATION ON NVIDIA CORPORATION'S PRODUCTS, VISIT US AT WWW.NVIDIA.COM. © 2008 NVIDIA CORPORATION. ALL RIGHTS RESERVED.

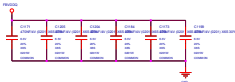
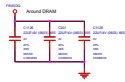
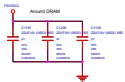
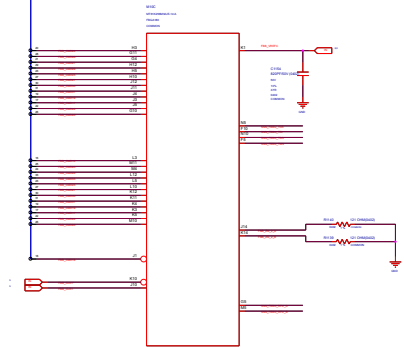
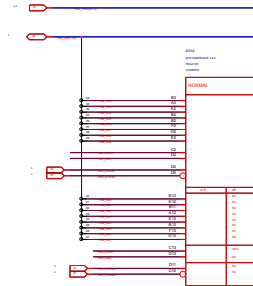
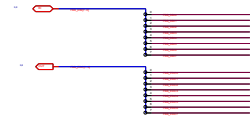
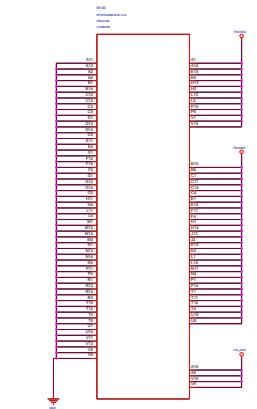
VERSION	1.0
DATE	11/11/08

NVIDIA CORPORATION
 2700 Las Vegas Avenue
 Santa Clara, CA 95058, USA

W/_PN 866-10186-BASE-200

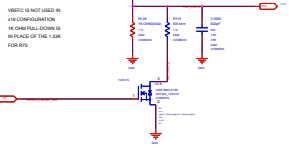
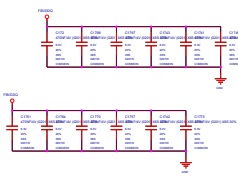
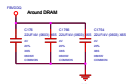
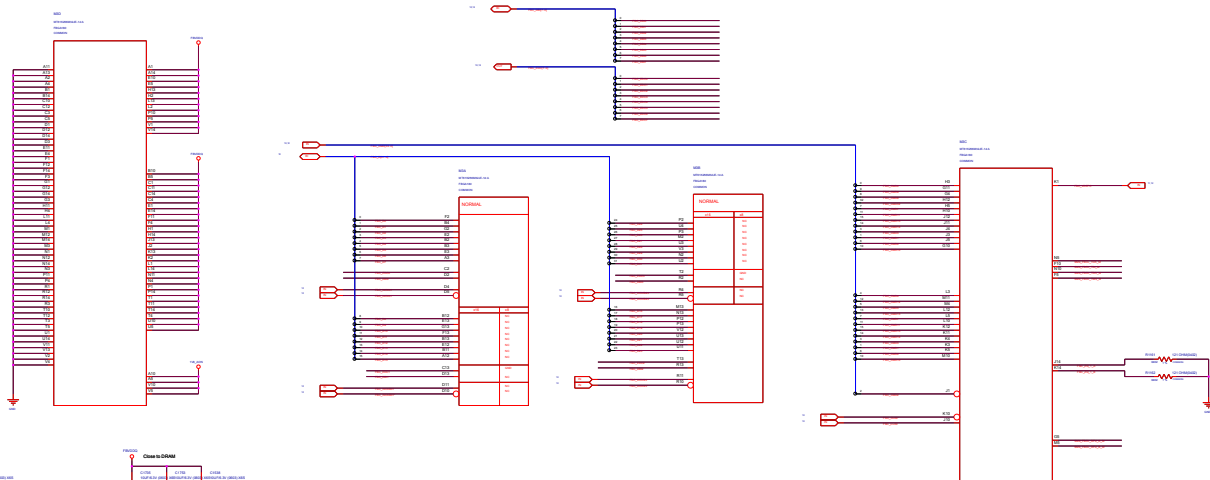
PROJECT	866-10186-BASE-200	DATE	11/11/08
DESIGNER		CHKD	
CHECKER		APPV	





Version:	0000000000000000
Part Name:	MEM0150.FBB.PARTITION 63

All information furnished herein is confidential and proprietary. Reproduction or distribution of this information is prohibited without the prior written consent of Widia Corporation. All information furnished herein is for internal use only. All other information is confidential, proprietary and/or otherwise legally protected. All information is provided as is without warranty. All information is provided for informational purposes only and should not be used for any other purpose. All information is provided for informational purposes only and should not be used for any other purpose. All information is provided for informational purposes only and should not be used for any other purpose.



VRFBIC IS NOT USED IN THIS CONFIGURATION. NO DRIFTPLUGS SHOULD BE IN PLACE OF THE 1.5KΩ FOR R175.


ALL INFORMATION CONTAINED HEREIN IS UNCLASSIFIED EXCEPT WHERE SHOWN OTHERWISE. THIS DOCUMENT CONTAINS INFORMATION THAT IS UNCLASSIFIED EXCEPT WHERE SHOWN OTHERWISE. THIS DOCUMENT CONTAINS INFORMATION THAT IS UNCLASSIFIED EXCEPT WHERE SHOWN OTHERWISE. THIS DOCUMENT CONTAINS INFORMATION THAT IS UNCLASSIFIED EXCEPT WHERE SHOWN OTHERWISE.

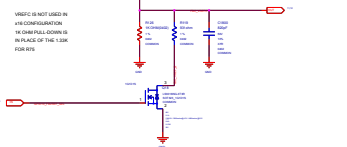
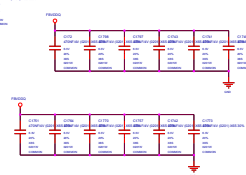
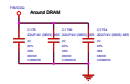
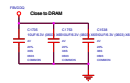
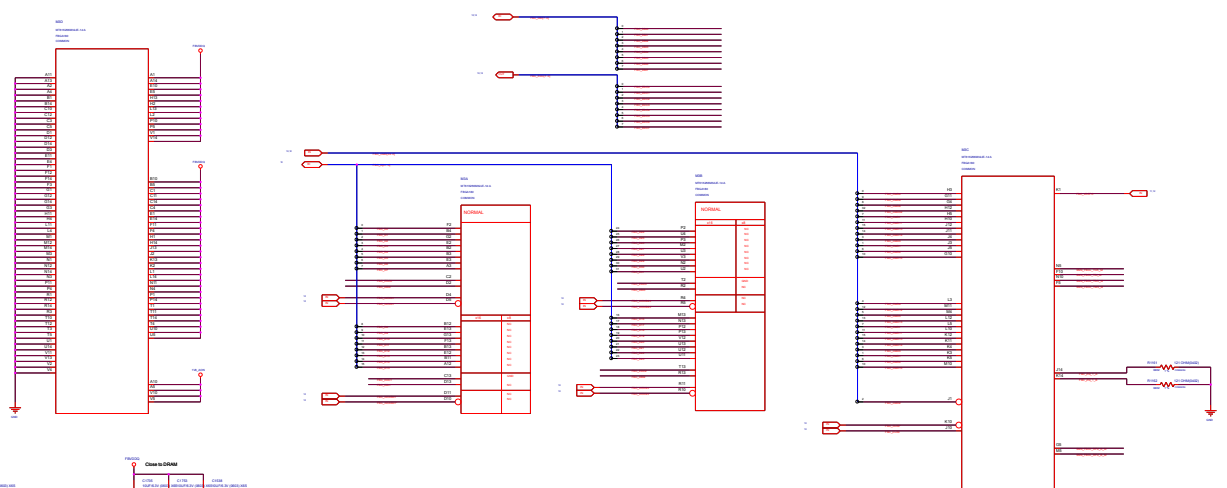
REV	DESCRIPTION
1.0	ISSUED FOR PRODUCTION

WIDEDA CORPORATION
200 THE TOWER CENTER DRIVE
SAN JOSE, CA 95128, USA

REV: JIN 800-10180-BASE-200

DATE	2011	11/28/11
DESIGNER	WJW	WJW
CHECKER	WJW	WJW






ALL INFORMATION CONTAINED HEREIN IS UNCLASSIFIED EXCEPT WHERE SHOWN OTHERWISE. THIS DOCUMENT CONTAINS NEITHER RECOMMENDATIONS NOR WARRANTIES. THE USE OF THE INFORMATION CONTAINED HEREIN IS AT THE USER'S RISK. THE INFORMATION CONTAINED HEREIN IS UNCLASSIFIED EXCEPT WHERE SHOWN OTHERWISE. THIS DOCUMENT CONTAINS NEITHER RECOMMENDATIONS NOR WARRANTIES. THE USE OF THE INFORMATION CONTAINED HEREIN IS AT THE USER'S RISK.

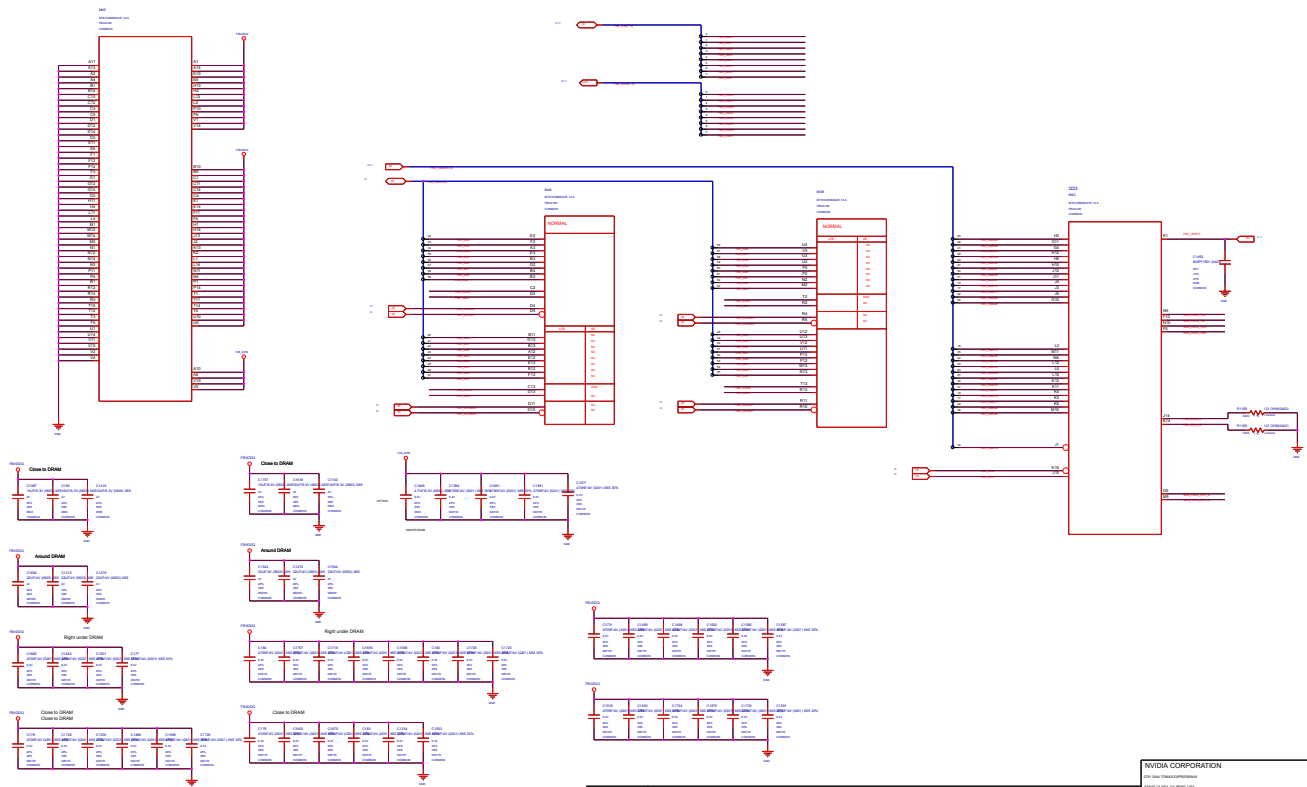
REV	DESCRIPTION	DATE
1.0	INITIAL RELEASE	11/11/11

WIDEDA CORPORATION
 200 THE TOWER CENTER
 SUITE 1000, 10 W. 10th St.
 DENVER, CO 80202

WV_PN 800-10180-BASE-200

REV	DESCRIPTION	DATE
1.0	INITIAL RELEASE	11/11/11






© 2012 NVIDIA CORPORATION. ALL RIGHTS RESERVED. NVIDIA, THE NVIDIA LOGO, AND NVIDIA DRIVE ARE REGISTERED TRADEMARKS OR TRADEMARKS OF NVIDIA CORPORATION IN THE UNITED STATES AND OTHER COUNTRIES. NVIDIA DRIVE OR ANY OTHER NVIDIA DRIVE PRODUCT IS A TRADEMARK OF NVIDIA CORPORATION. NVIDIA DRIVE OR ANY OTHER NVIDIA DRIVE PRODUCT IS A TRADEMARK OF NVIDIA CORPORATION. NVIDIA DRIVE OR ANY OTHER NVIDIA DRIVE PRODUCT IS A TRADEMARK OF NVIDIA CORPORATION. NVIDIA DRIVE OR ANY OTHER NVIDIA DRIVE PRODUCT IS A TRADEMARK OF NVIDIA CORPORATION.

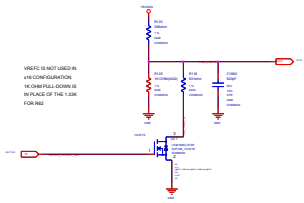
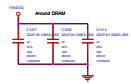
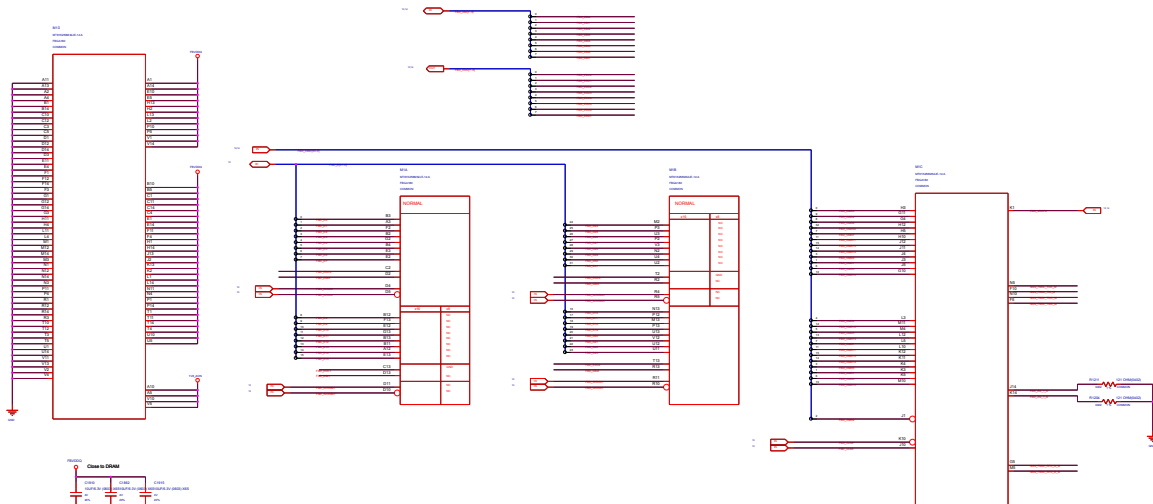
Part Number	16M16K16
Manufacturer	Infineon Technologies AG

NVIDIA CORPORATION
 2700 Bay Street
 Santa Clara, CA 95050, USA

Part Number: **800-1G180 BASE 200**

Rev. #	1.0	Date	08/2012
Author
...






THE INFORMATION CONTAINED HEREIN IS UNCLASSIFIED EXCEPT WHERE SHOWN OTHERWISE. IT IS THE PROPERTY OF NVIDIA CORPORATION AND IS LOANED TO YOUR COMPANY/ORGANIZATION. IT IS TO BE USED FOR THE SPECIFIC PURPOSES AND PERIOD OF TIME FOR WHICH IT IS LOANED. IT IS NOT TO BE REPRODUCED OR TRANSMITTED IN ANY FORM OR BY ANY MEANS, ELECTRONIC OR MECHANICAL, INCLUDING PHOTOCOPYING, RECORDING, OR BY ANY INFORMATION STORAGE AND RETRIEVAL SYSTEM, WITHOUT PERMISSION IN WRITING FROM NVIDIA CORPORATION. © 2004 NVIDIA CORPORATION. ALL RIGHTS RESERVED.

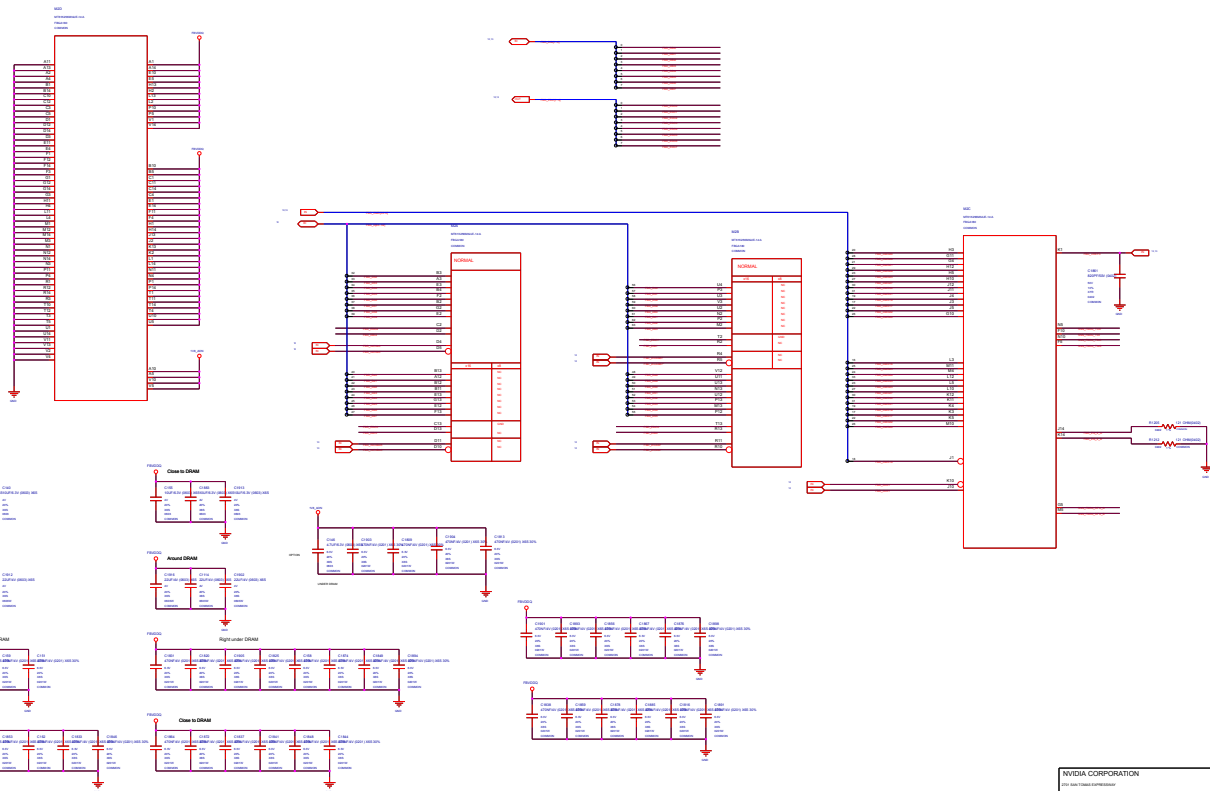
REV	DESCRIPTION
1.0	Initial Release

NVIDIA CORPORATION
 2700 San Ramon Drive
 Santa Clara, CA 95050, USA

REV: 1.0 **8800-IG180-BASE-200**

DATE: 01/20/04






THIS DOCUMENT IS UNCLASSIFIED. IT IS THE PROPERTY OF NVIDIA CORPORATION AND IS LOANED TO YOUR ORGANIZATION. IT AND ITS CONTENTS ARE UNCLASSIFIED EXCEPT TO THE EXTENT INDICATED OTHERWISE. ANY REPRODUCTION OR DISTRIBUTION OF THIS DOCUMENT IS UNAUTHORIZED. IT IS THE PROPERTY OF NVIDIA CORPORATION AND IS LOANED TO YOUR ORGANIZATION. IT AND ITS CONTENTS ARE UNCLASSIFIED EXCEPT TO THE EXTENT INDICATED OTHERWISE.

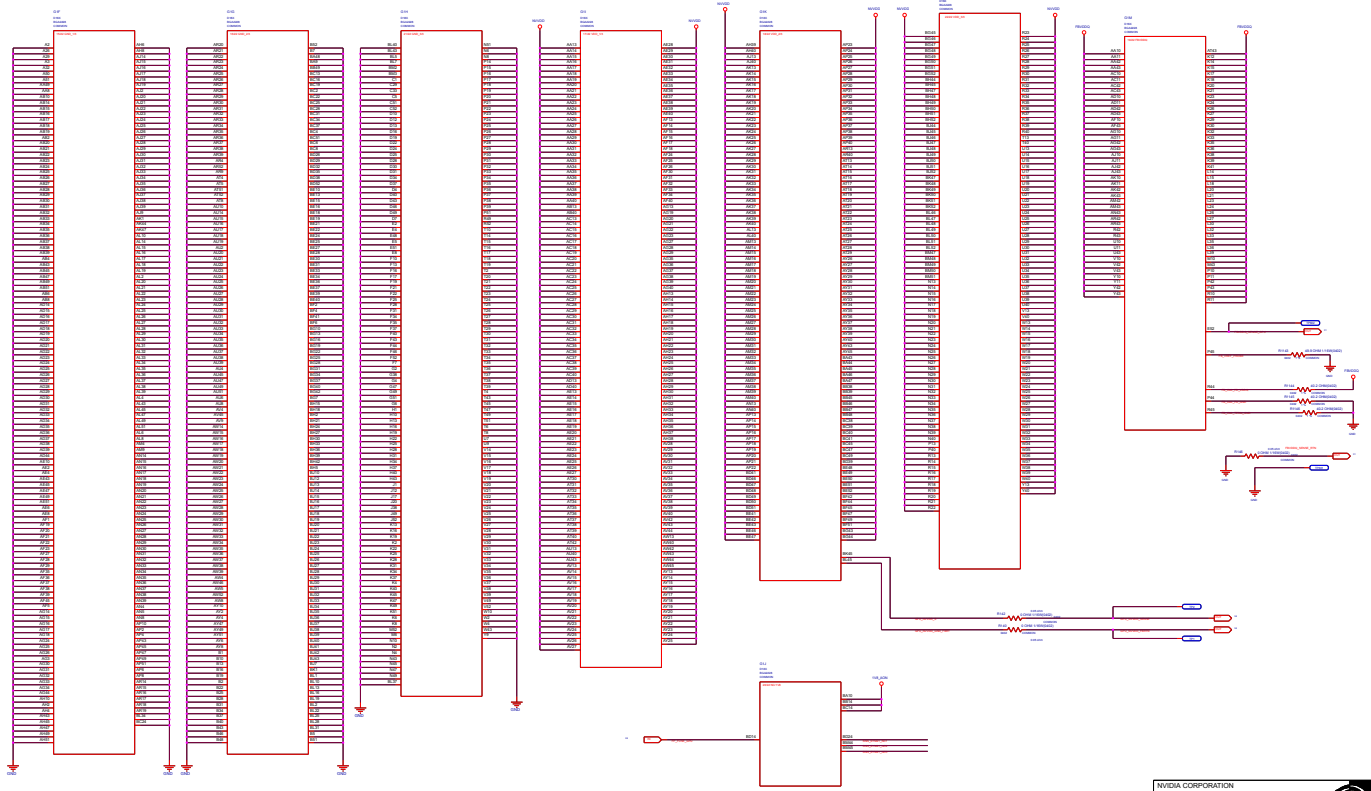
Version:	1.00
Revision:	1.00

NVIDIA CORPORATION
 2700 Bay Street, Santa Clara, CA 95050, USA

Part Number: **630-1G180 BASE 200**

Rev:	1.00	Date:	10/20/2011
Author:	...	Appr:	...
Checker:	...	Appr:	...






THIS DOCUMENT IS UNCLASSIFIED, UNCONTROLLED INFORMATION. IT IS NOT TO BE DISTRIBUTED OUTSIDE THE NVIDIA CORPORATION OR ITS DIRECT OR INDIRECT SUBSIDIARIES OR AFFILIATES. IT IS THE PROPERTY OF NVIDIA CORPORATION AND IS LOANED TO YOU. IT IS NOT TO BE REPRODUCED OR TRANSMITTED IN ANY FORM OR BY ANY MEANS, ELECTRONIC OR MECHANICAL, INCLUDING PHOTOCOPYING, RECORDING, OR BY ANY INFORMATION STORAGE AND RETRIEVAL SYSTEM. WITHOUT PERMISSION IN WRITING FROM NVIDIA CORPORATION, YOU MAY NOT REPRODUCE OR TRANSMIT THIS DOCUMENT OR ITS CONTENTS IN ANY MANNER, ELECTRONIC OR MECHANICAL, INCLUDING PHOTOCOPYING, RECORDING, OR BY ANY INFORMATION STORAGE AND RETRIEVAL SYSTEM. WITHOUT PERMISSION IN WRITING FROM NVIDIA CORPORATION, YOU MAY NOT REPRODUCE OR TRANSMIT THIS DOCUMENT OR ITS CONTENTS IN ANY MANNER, ELECTRONIC OR MECHANICAL, INCLUDING PHOTOCOPYING, RECORDING, OR BY ANY INFORMATION STORAGE AND RETRIEVAL SYSTEM.

DATE	DESCRIPTION

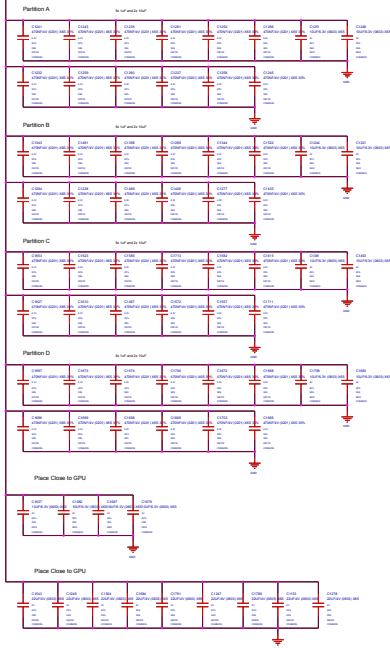
NVIDIA CORPORATION
 2700 Las Vegas Blvd. N.
 Santa Clara, CA 95058, USA

SKU: **800-1G180-BASE-200**

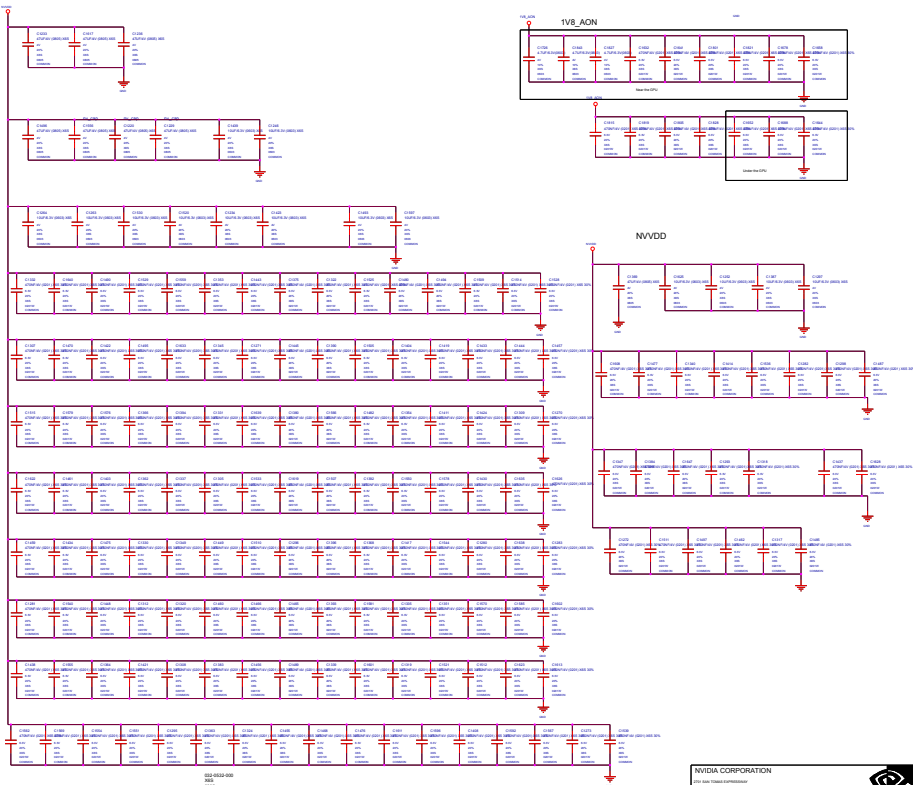
REV	DATE	DESCRIPTION
1.0	11/11/2011	Initial Release



FBVDDQ



NVDD



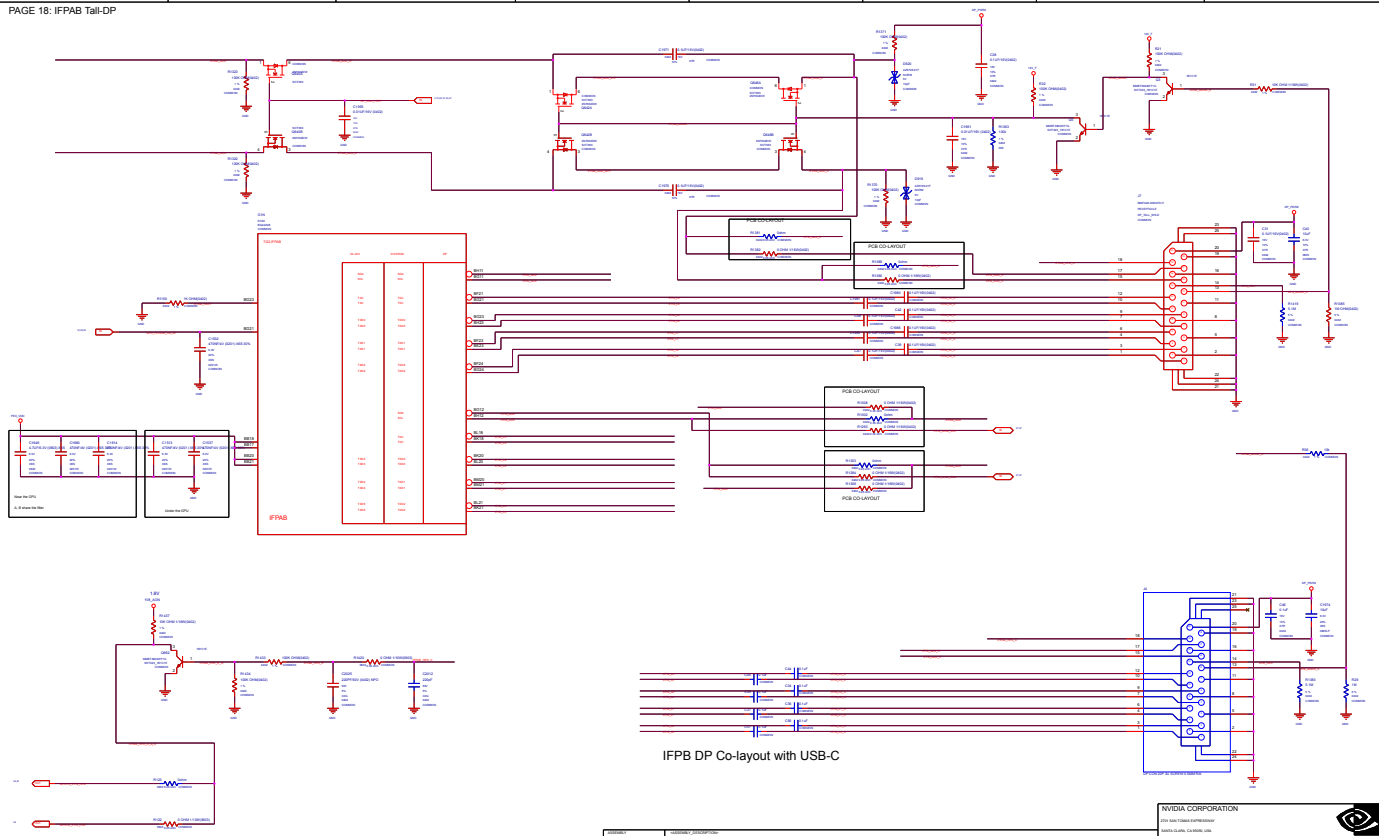
Part Number	820-00000-000
Revision	0000
Product Name	GPU Decoupling

NVIDIA CORPORATION
 2700 SAN TOME AVE
 SANTA CLARA, CA 95050, USA

Tx_Pw 800-10180-BASE-200

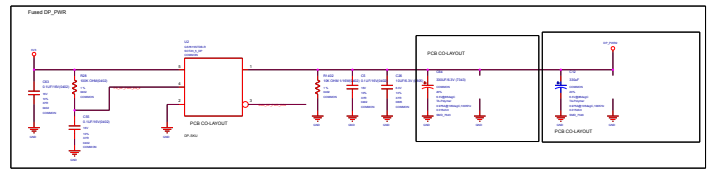
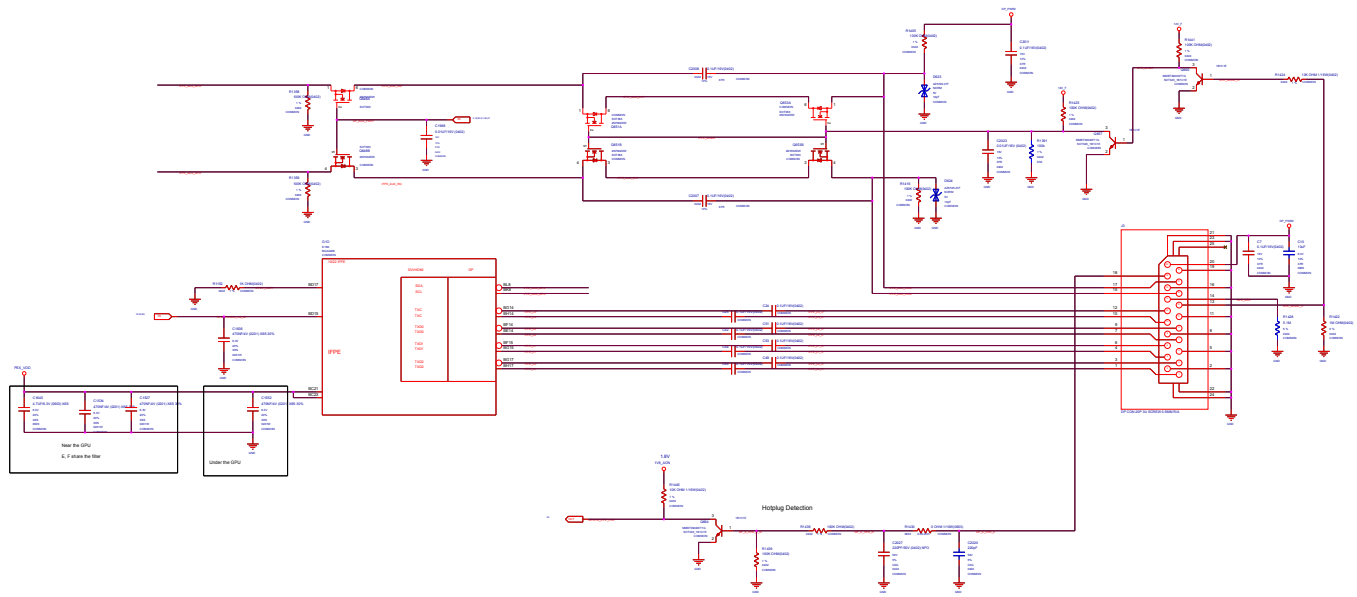
DATE	REV	DESCRIPTION

© 2016 NVIDIA CORPORATION. ALL RIGHTS RESERVED. NVIDIA, THE NVIDIA LOGO, AND NVIDIA DRIVE ARE REGISTERED TRADEMARKS OR TRADEMARKS OF NVIDIA CORPORATION OR NVIDIA LIMITED. ALL OTHER TRADEMARKS ARE THE PROPERTY OF THEIR RESPECTIVE OWNERS. NVIDIA, THE NVIDIA LOGO, AND NVIDIA DRIVE ARE REGISTERED TRADEMARKS OF NVIDIA CORPORATION OR NVIDIA LIMITED. ALL OTHER TRADEMARKS ARE THE PROPERTY OF THEIR RESPECTIVE OWNERS.

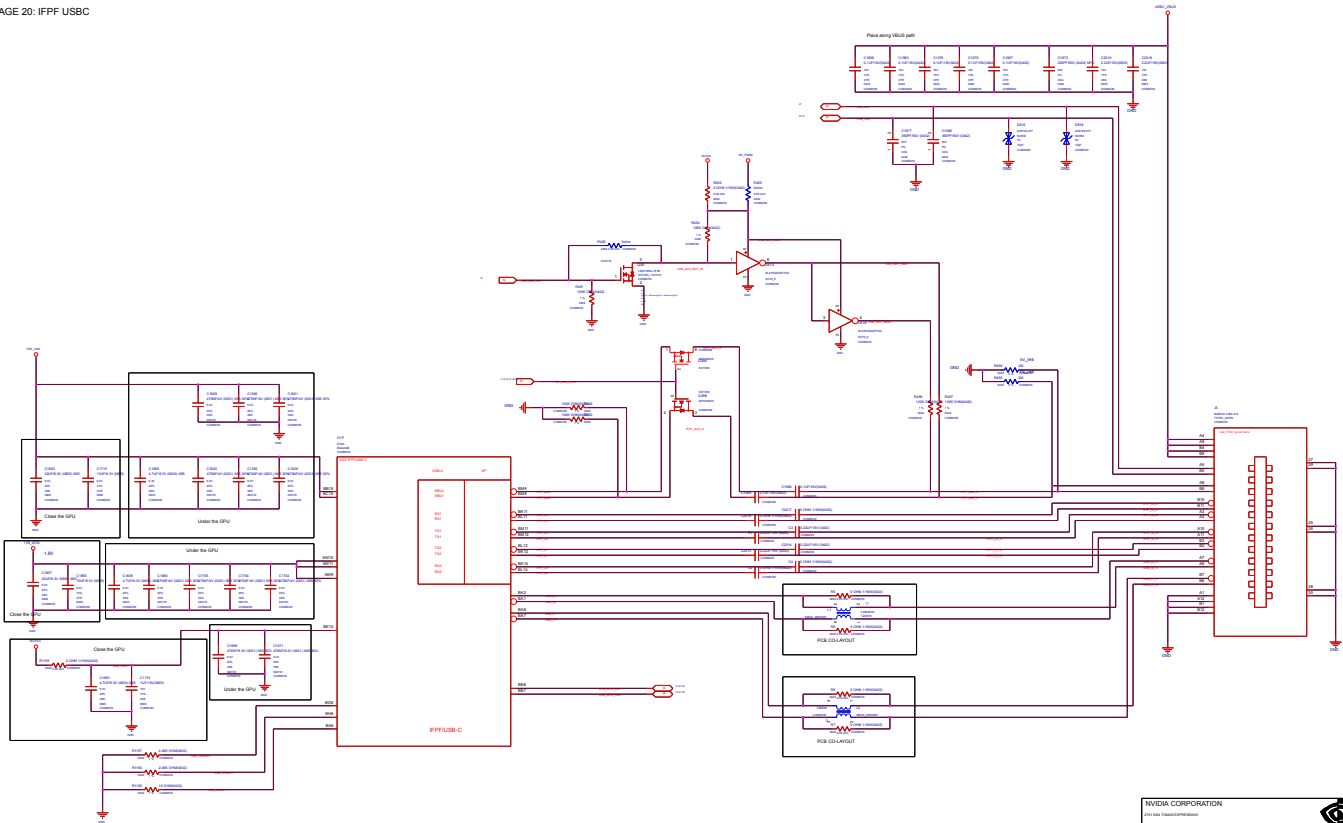


IFPB DP Co-layout with USB-C

THIS DOCUMENT CONTAINS PROPRIETARY AND CONFIDENTIAL INFORMATION. ANY DISCLOSURE OF THIS INFORMATION TO ANY OTHER PERSON OR ENTITY WITHOUT THE WRITTEN PERMISSION OF NVIDIA CORPORATION IS STRICTLY PROHIBITED. THIS DOCUMENT IS PROVIDED "AS IS" WITHOUT WARRANTY OF ANY KIND, INCLUDING MERCHANTABILITY, FITNESS FOR A PARTICULAR PURPOSE, OR NONINFRINGEMENT. NVIDIA CORPORATION AND ITS SUPPLIERS MAKE NO REPRESENTATION OR WARRANTY REGARDING THE ACCURACY, COMPLETENESS, OR FITNESS FOR A PARTICULAR PURPOSE OF THE INFORMATION CONTAINED HEREIN. NVIDIA CORPORATION AND ITS SUPPLIERS SHALL NOT BE LIABLE FOR ANY DAMAGES, INCLUDING CONSEQUENTIAL DAMAGES, ARISING FROM OR OUT OF THE USE OF THIS INFORMATION, EVEN IF ADVISED OF THE POSSIBILITY OF SUCH DAMAGE. THIS DOCUMENT IS PROVIDED FOR INFORMATIONAL PURPOSES ONLY.



THIS DOCUMENT CONTAINS PROPRIETARY AND CONFIDENTIAL INFORMATION. ANY DISCLOSURE OF THIS INFORMATION TO ANY OTHER PERSON WITHOUT THE WRITTEN PERMISSION OF NVIDIA CORPORATION IS STRICTLY PROHIBITED. NVIDIA CORPORATION AND ITS DESIGNATED AFFILIATES ACCEPT NO LIABILITY FOR DAMAGES OF ANY KIND ARISING FROM THE USE OF THIS DOCUMENT. NVIDIA CORPORATION AND ITS DESIGNATED AFFILIATES ACCEPT NO LIABILITY FOR DAMAGES OF ANY KIND ARISING FROM THE USE OF THIS DOCUMENT.




THIS DOCUMENT CONTAINS PROPRIETARY AND CONFIDENTIAL INFORMATION OF NVIDIA CORPORATION. IT IS THE PROPERTY OF NVIDIA CORPORATION AND IS NOT TO BE REPRODUCED, COPIED, TRANSMITTED, OR OTHERWISE DISCLOSED IN ANY MANNER WITHOUT THE WRITTEN PERMISSION OF NVIDIA CORPORATION. THIS DOCUMENT IS PROVIDED AS IS AND NVIDIA CORPORATION MAKES NO REPRESENTATION OR WARRANTY OF ANY KIND, EXPRESS OR IMPLIED, REGARDING THE ACCURACY, COMPLETENESS, OR USE OF THE INFORMATION CONTAINED HEREIN. NVIDIA CORPORATION SHALL NOT BE LIABLE FOR ANY DAMAGES, INCLUDING BUT NOT LIMITED TO, DIRECT, INDIRECT, OR CONSEQUENTIAL DAMAGES, ARISING FROM OR OUT OF THE USE OF THIS DOCUMENT, EVEN IF ADVISED OF THE POSSIBILITY OF SUCH DAMAGE.

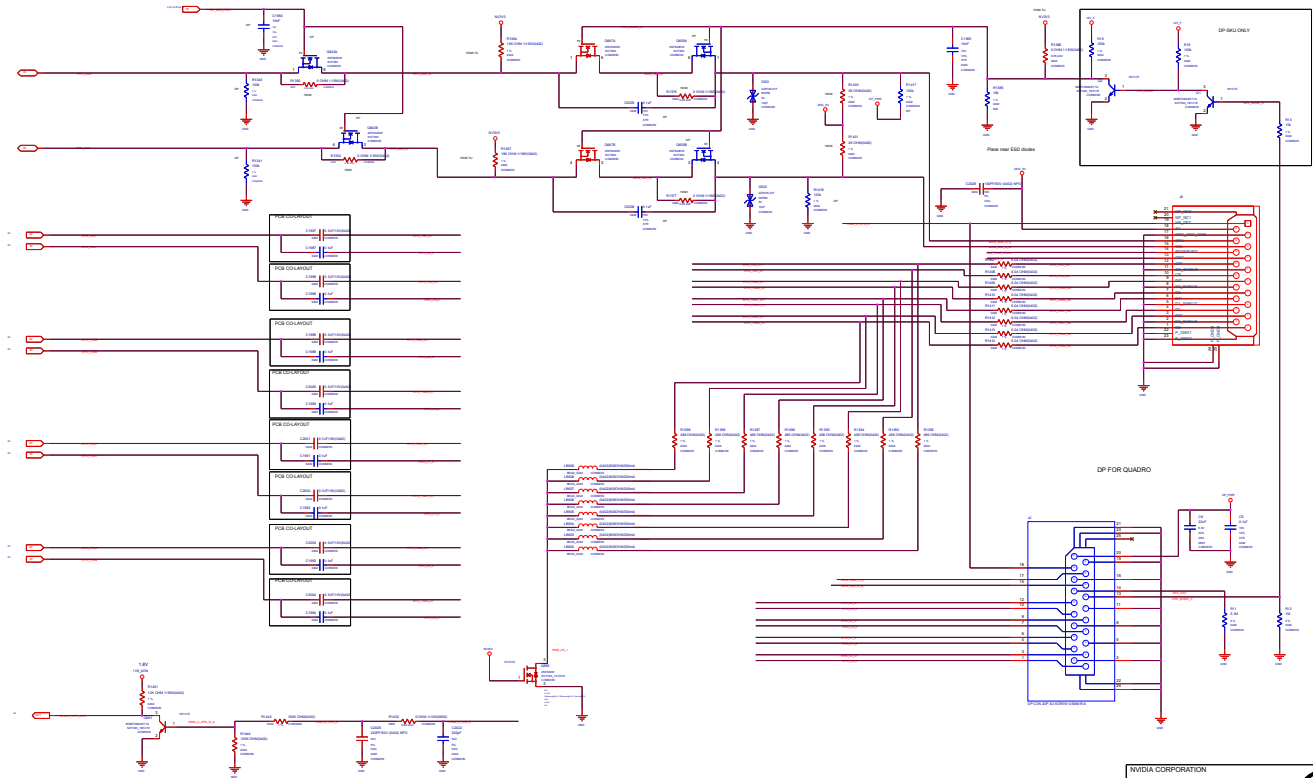
REVISION	DESCRIPTION
001	INITIAL

NVIDIA CORPORATION
 2700 BAY FRANKLIN BOULEVARD
 SANTA CLARA, CALIFORNIA 95051

REV. 1.0 850-10180-BASE-200

DATE	08/20/2018	BY	WJL
APP'D		CHK'D	WJL






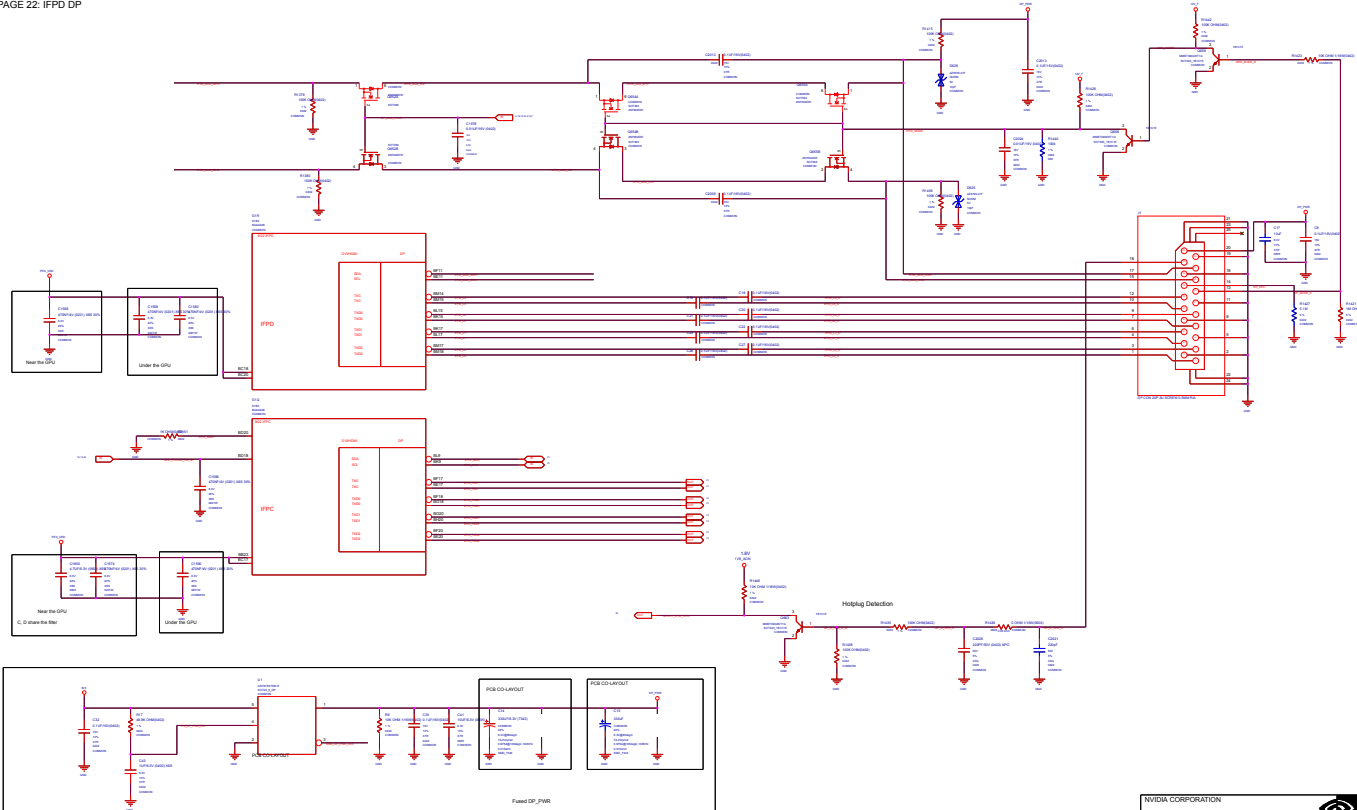
THIS INFORMATION IS UNCLASSIFIED UNLESS INDICATED OTHERWISE. UNLESS INDICATED OTHERWISE, THIS DOCUMENT CONTAINS NEITHER RECOMMENDATIONS NOR WARRANTIES OF ANY KIND, EITHER EXPRESSED OR IMPLIED, INCLUDING BUT NOT LIMITED TO THE ACCURACY OF THE INFORMATION CONTAINED THEREIN.

THIS DOCUMENT CONTAINS INFORMATION THAT IS UNCLASSIFIED UNLESS INDICATED OTHERWISE. UNLESS INDICATED OTHERWISE, THIS DOCUMENT CONTAINS NEITHER RECOMMENDATIONS NOR WARRANTIES OF ANY KIND, EITHER EXPRESSED OR IMPLIED, INCLUDING BUT NOT LIMITED TO THE ACCURACY OF THE INFORMATION CONTAINED THEREIN.

Author:	XXXXXXXXXXXXXXXX
Designer:	XXXXXXXXXXXXXXXX

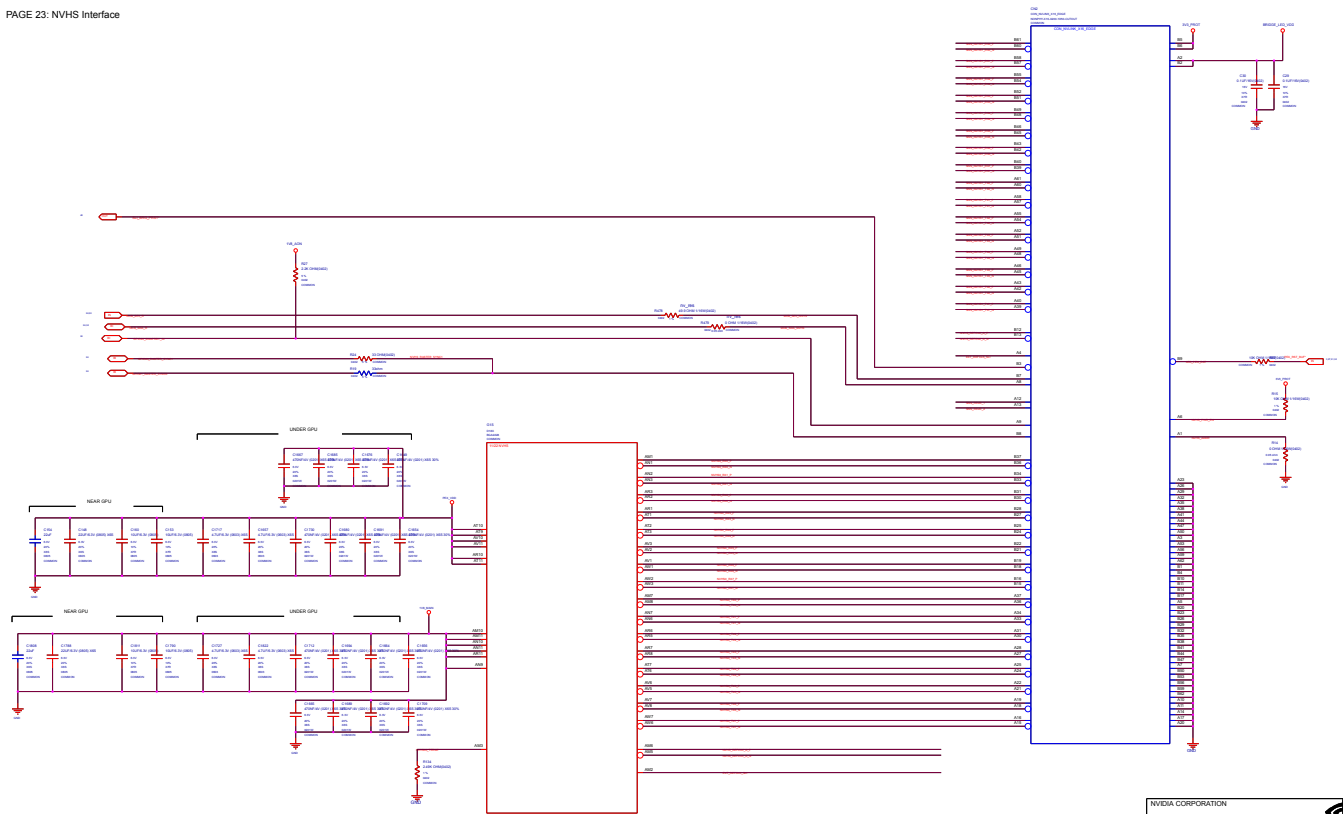
INTEGRA CORPORATION 2500 San Diego Expressway San Diego, CA 92108, USA	
Part No.: Revision:	800-10180-BASE-200 001
Date: Drawn By:	001 001





Fixed_DP_2080



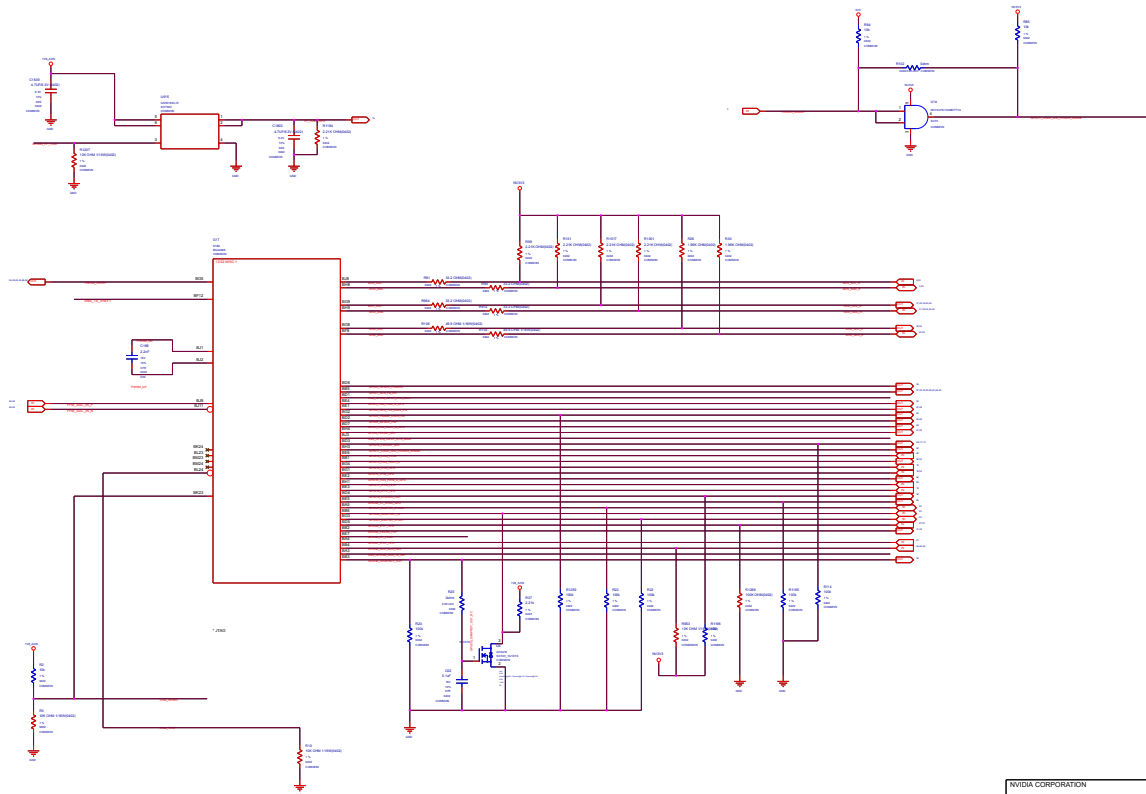


THIS DOCUMENT IS UNCLASSIFIED UNLESS INDICATED OTHERWISE. UNLESS INDICATED OTHERWISE, THIS DOCUMENT IS UNCLASSIFIED. UNLESS INDICATED OTHERWISE, THIS DOCUMENT IS UNCLASSIFIED. UNLESS INDICATED OTHERWISE, THIS DOCUMENT IS UNCLASSIFIED. UNLESS INDICATED OTHERWISE, THIS DOCUMENT IS UNCLASSIFIED.

REVISION	REVISION DESCRIPTION
001	INITIAL RELEASE

WIDEA CORPORATION	
200 VIA TAIPEI EXPRESS	
TAIPEI, TAIWAN, R.O.C.	
TEL: +886 (0)2 2758 1234	
WWW.WIDEA.COM	
MPIN	800-10180-BASE-200
REVISED	001
DATE	01/20/2013





IN WHOLE OR IN PART, ANY INFORMATION CONTAINED HEREIN IS UNCLASSIFIED, EXCEPT WHERE SHOWN OTHERWISE. THIS INFORMATION IS UNCLASSIFIED EXCEPT WHERE SHOWN OTHERWISE. THIS INFORMATION IS UNCLASSIFIED EXCEPT WHERE SHOWN OTHERWISE. THIS INFORMATION IS UNCLASSIFIED EXCEPT WHERE SHOWN OTHERWISE. THIS INFORMATION IS UNCLASSIFIED EXCEPT WHERE SHOWN OTHERWISE.

Revision: 1.0
 Date: 10/18/2008

NVIDIA CORPORATION

 2700 BAY FRONTRON BLVD
 SANTA CLARA, CA 95058 USA

Part	650-10180-Base-200
------	--------------------

Model	650-10180-Base-200
-------	--------------------

Rev	1.0
-----	-----

Date	10/18/2008
------	------------



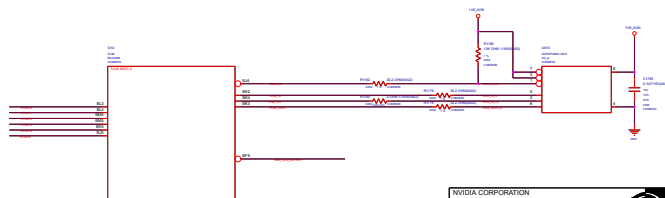
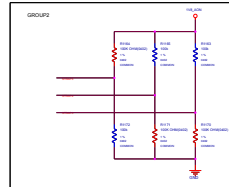
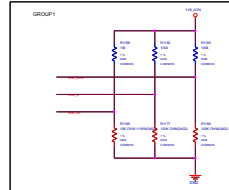
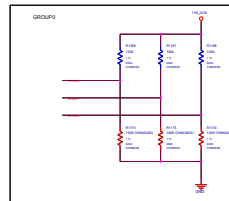
VHigh- Tst to 1.8V
VMidSw- Tst to 0.9V
VLow- Tst to 0V

STRAP2	STRAP1	STRAP0	RAMCFG(4)		
L	L	L	0000	RAMCFG TSD	
L	L	H	0001	RAMCFG TSD	DEFAULT
L	H	L	0002	RAMCFG TSD	
L	H	H	0011	RAMCFG TSD	
H	H	L	0010	RAMCFG TSD	
H	H	H	0011	RAMCFG TSD	

ROM_S0	ROM_S1	ROM_SCLK	DUMPFIS_OVERT	1 ENABLE 0 DISABLE	
L	L	L	0001	FIS_OVERT ENABLE	DEFAULT
L	L	M	0000	FIS_OVERT DISABLE	

STRAPS	STRAP4	STRAP3	SMB_ALT_ADDR	DEV0_SEL	PCIE_CFG	VGA_DEVICE	
M	H	H	1	1	1	1	
M	H	L	1	1	1	0	1: SMB_ALT_ADDR ENABLE
M	L	H	1	1	0	1	0: SMB_ALT_ADDR DISABLE
M	L	L	1	1	0	0	1: DEV0_SEL RESIGNAL
L	H	M	1	0	1	0	0: DEV0_SEL ORIGINAL
L	M	H	1	0	1	0	1: PCIE_CFG LOW POWER
L	M	L	1	0	0	1	0: PCIE_CFG HIGH POWER
L	L	M	1	0	0	0	1: VGA_DEVICE ENABLE
H	H	H	0	1	1	1	0: VGA_DEVICE DISABLE
H	H	L	0	1	1	0	
H	L	H	0	1	0	1	
H	L	L	0	1	0	0	
L	H	H	0	0	1	1	
L	L	H	0	0	1	0	
L	L	L	0	0	0	1	Default
L	L	L	0	0	0	0	

RAMCFG(4)	DENSITY	WIDTH	VENDOR
0000	512	256-bit	Samsung
0001	512	256-bit	Micron
0010	512	256-bit	Hynix
0011	1GB	256-bit	Samsung
0111	1GB	256-bit	Samsung



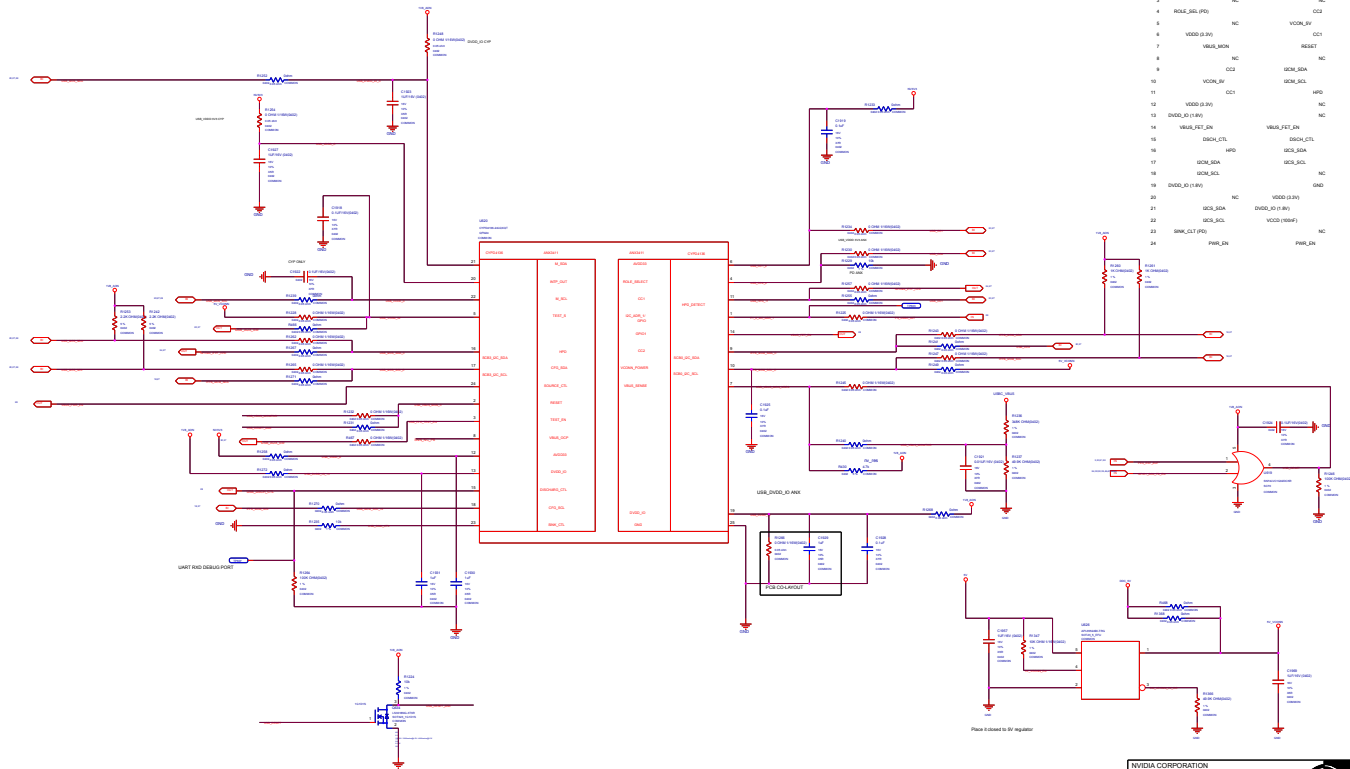
© 2011 NVIDIA CORPORATION. NVIDIA, the NVIDIA logo, and NVIDIA GeForce are trademarks or registered trademarks of NVIDIA CORPORATION in the United States and other countries. All other trademarks are the property of their respective owners. This document is provided for informational purposes only. NVIDIA does not assume any responsibility for errors or omissions in this document. NVIDIA reserves the right to change the specifications of this document without notice.

REV	DATE	DESCRIPTION
0001	05/15/2011	Initial Release

NVIDIA CORPORATION
 2880 Bay Street
 Santa Clara, CA 95051

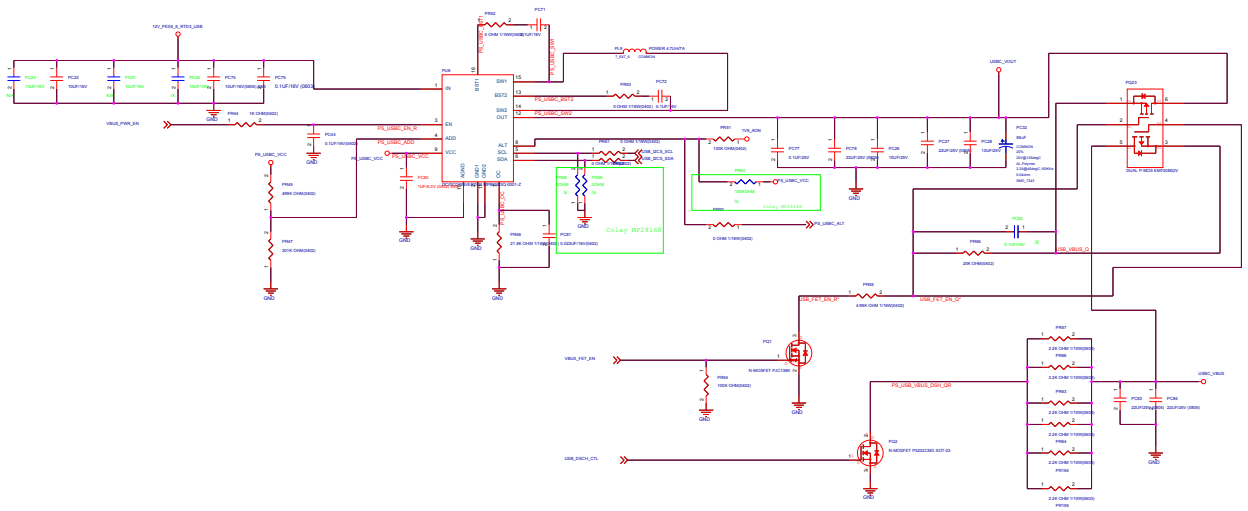
Part Number: **880-10180-BASE-200**

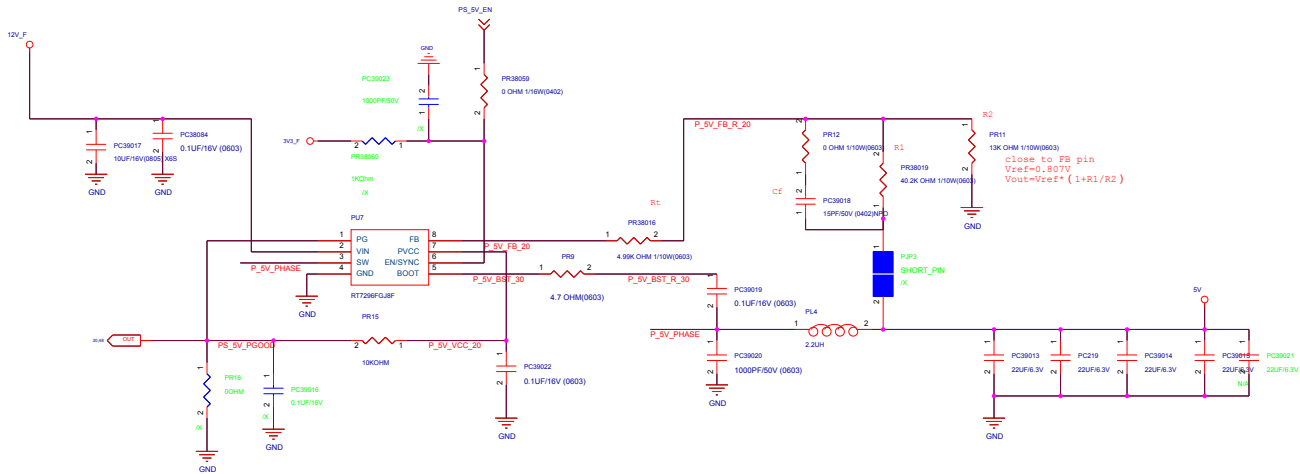
Rev: **0001** | Date: **05/15/2011**

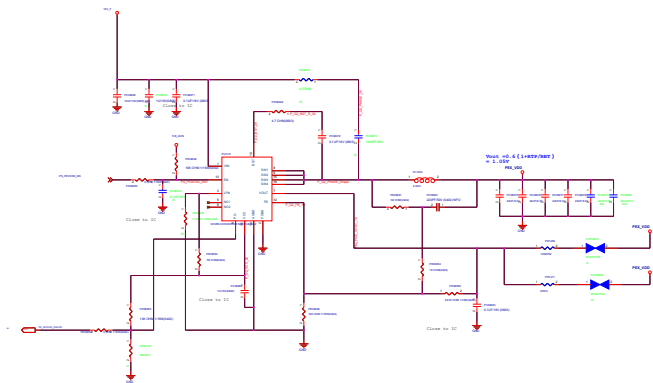
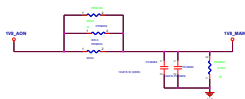
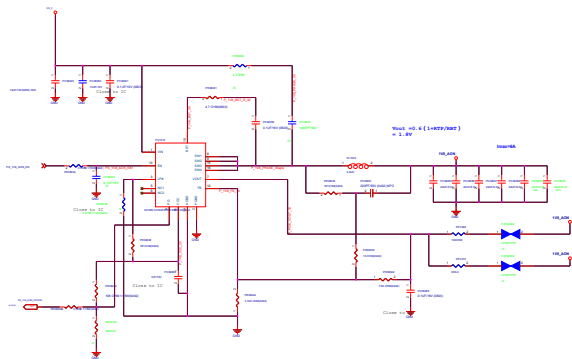


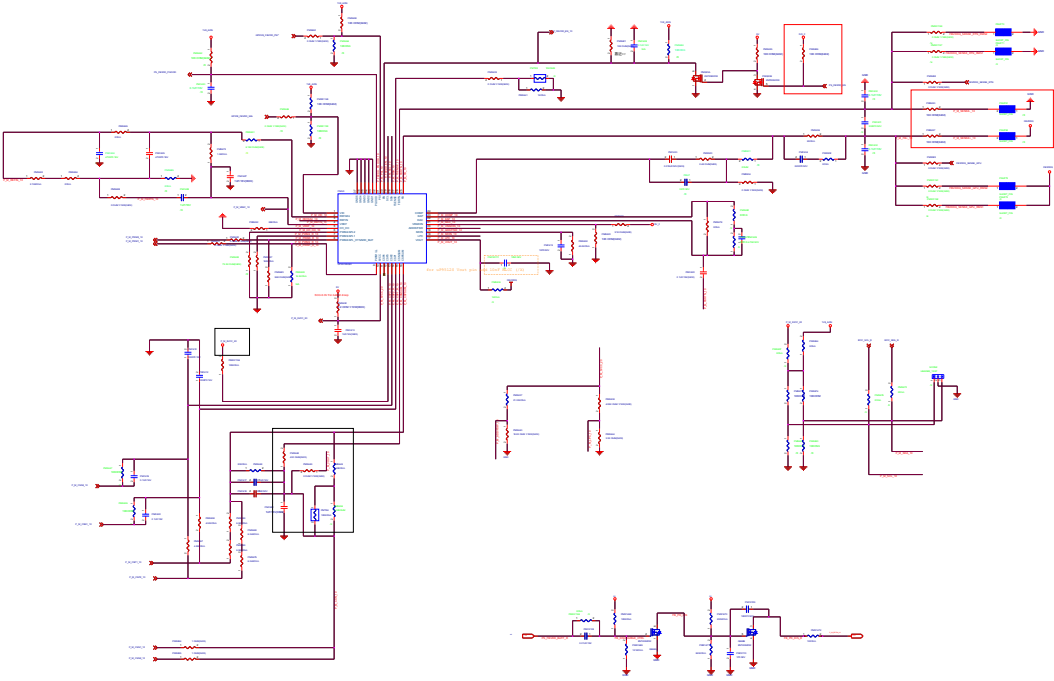
Pin	AMEX	COMP
1	TR	
2	RESET	VBLA_MON
3	NC	NC
4	IOAKE_SMI_FID	OC2
5	VDDO (3.3V)	VCOR_N
6	VBLA_MON	RESET
7	NC	NC
8	OC2	MON_MON
9	VCOR_N	MON_SCL
10	VDDO (3.3V)	WFS
11	OC1	NC
12	ENDDI_D1 (1.8V)	NC
13	VBLA_FST_EN	VBLA_FST_EN
14	SMON_CTL	SMON_CTL
15	WFS	WFS_SMI
16	MON_MON	MON_SCL
17	MON_SCL	NC
18	ENDDI_D1 (1.8V)	GNB
19	NC	VDDO (3.3V)
20	WFS_SMI	ENDDI_D1 (1.8V)
21	WFS_SCL	VDDO (1.8V)
22	SMON_CTL_FID	NC
23	PWR_EN	PWR_EN
24		

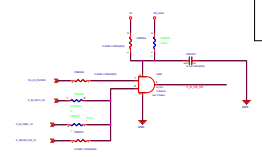
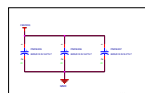
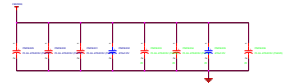
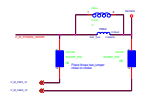
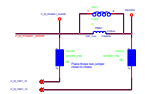
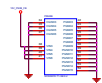
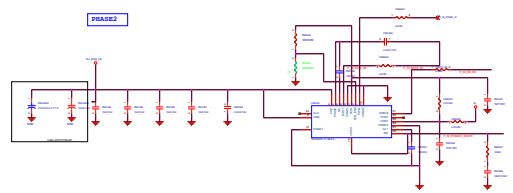
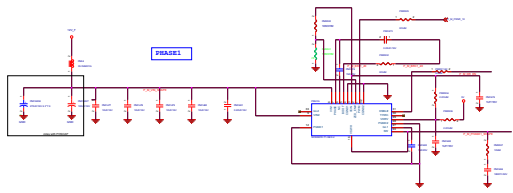
This document contains confidential information of NVIDIA Corporation. It is intended for internal use only. It is not to be distributed, copied, or otherwise used without the prior written consent of NVIDIA Corporation. NVIDIA Corporation is not responsible for any errors or omissions in this document. NVIDIA Corporation is not responsible for any damages, including consequential damages, arising from the use of this document. NVIDIA Corporation is not responsible for any damages, including consequential damages, arising from the use of this document.

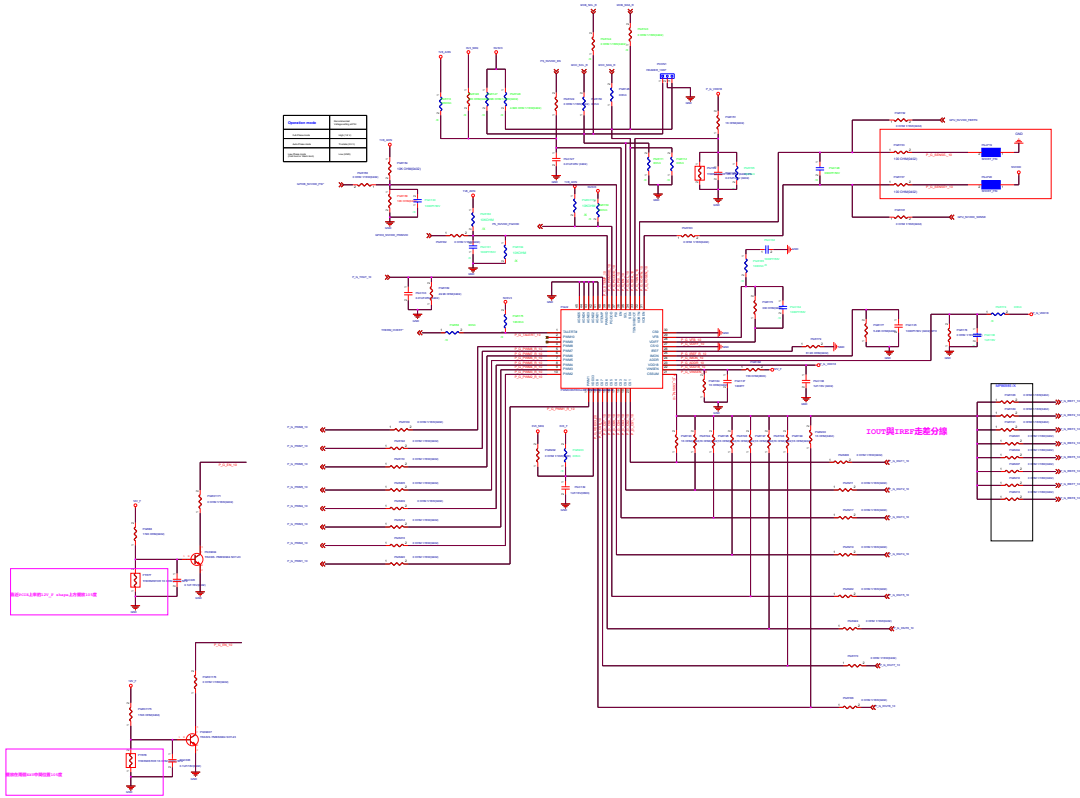


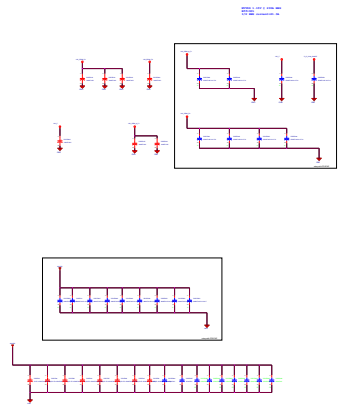
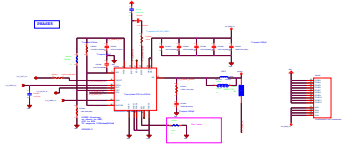
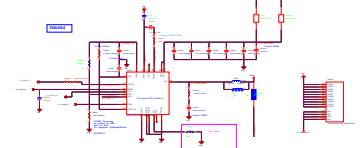
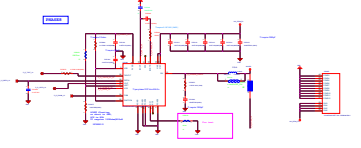
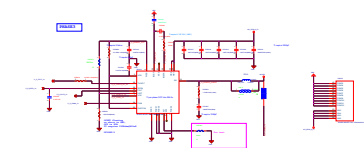
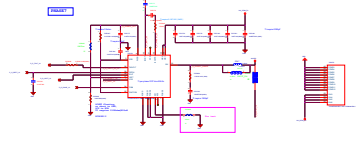
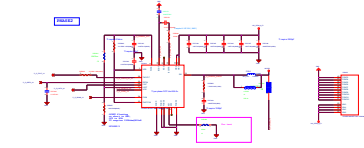
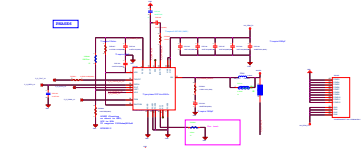
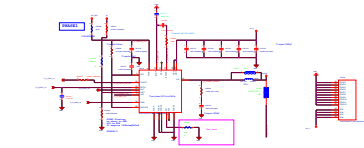


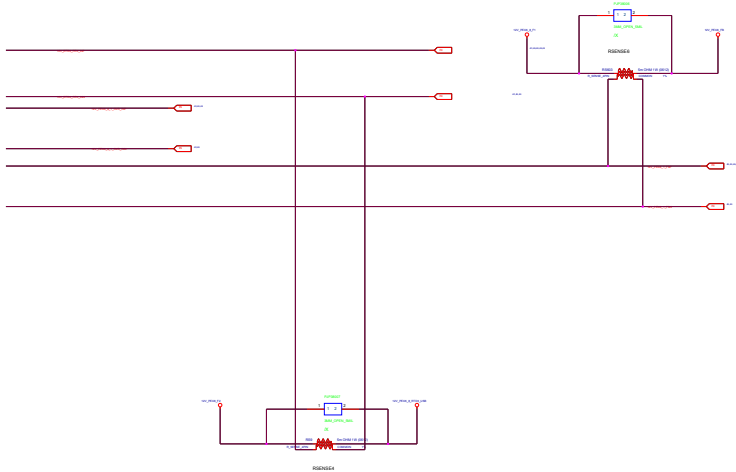
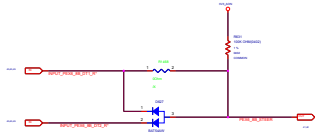
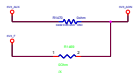
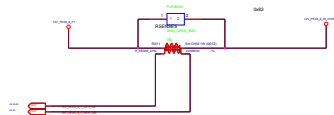
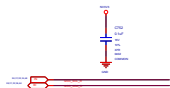









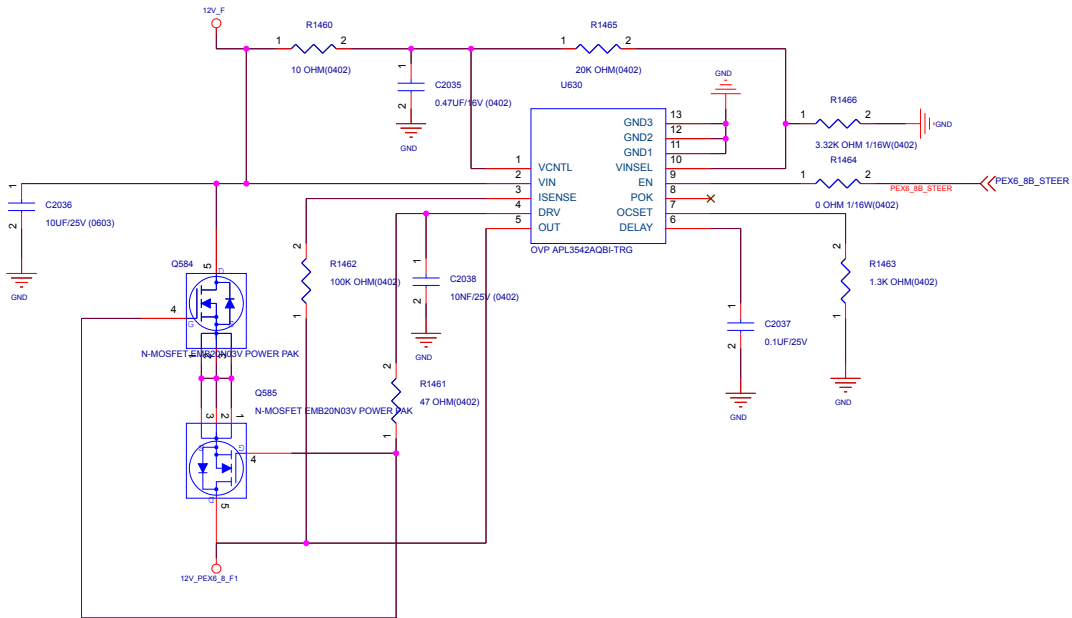


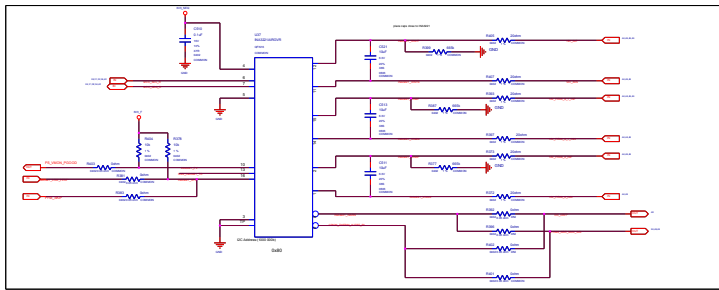


THIS DOCUMENT CONTAINS PROPRIETARY INFORMATION. ANY DISCLOSURE OF THIS INFORMATION TO ANY OTHER PERSON WITHOUT THE EXPRESS WRITTEN PERMISSION OF NVIDIA CORPORATION IS STRICTLY PROHIBITED. © 2009 NVIDIA CORPORATION. ALL RIGHTS RESERVED. NVIDIA, THE NVIDIA LOGO, AND NVIDIA GEFORCE ARE REGISTERED TRADEMARKS OF NVIDIA CORPORATION IN THE UNITED STATES AND OTHER COUNTRIES. NVIDIA, THE NVIDIA LOGO, AND NVIDIA GEFORCE ARE REGISTERED TRADEMARKS OF NVIDIA CORPORATION IN THE UNITED STATES AND OTHER COUNTRIES. NVIDIA, THE NVIDIA LOGO, AND NVIDIA GEFORCE ARE REGISTERED TRADEMARKS OF NVIDIA CORPORATION IN THE UNITED STATES AND OTHER COUNTRIES. NVIDIA, THE NVIDIA LOGO, AND NVIDIA GEFORCE ARE REGISTERED TRADEMARKS OF NVIDIA CORPORATION IN THE UNITED STATES AND OTHER COUNTRIES.

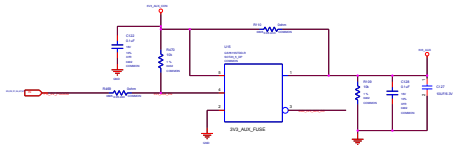
REV	DESCRIPTION
1	INITIAL RELEASE

NVIDIA CORPORATION		
2000 Ave. of the Stars, Suite 1000 Santa Clara, CA 95050, USA		
SKU#	800-10180 BASE-200	
REV	1.00	DATE
DATE	08/11/09	TIME

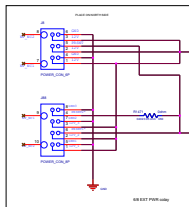
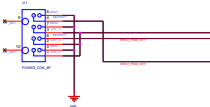




PEX8 INPUT 1 - 2x3 PCIe CON 175W



PEX8 INPUT 2 - 2x4 PCIe CON 150W

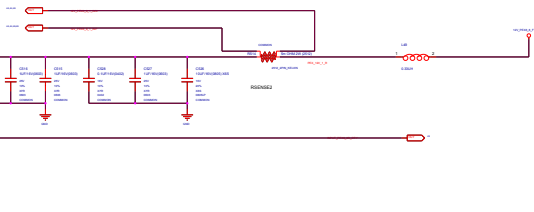
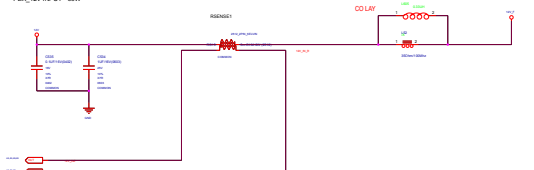


PEX8 INPUT 2 - 2x4 PCIe CON 150W

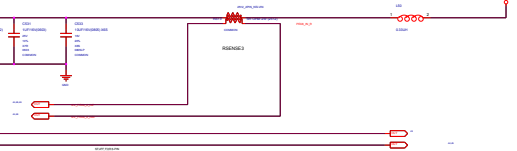
PEX 3V3 INPUT - 15W

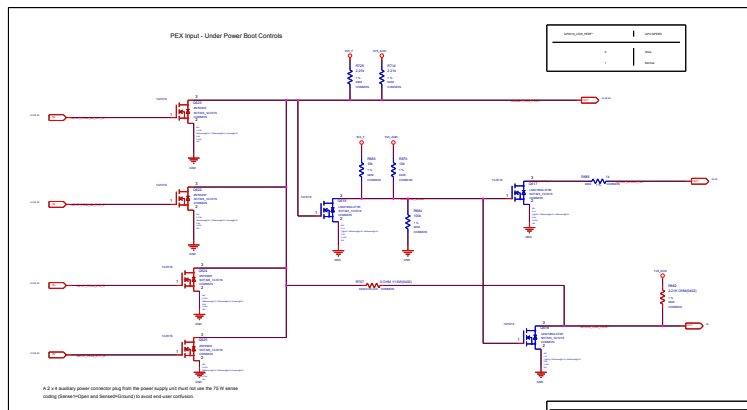
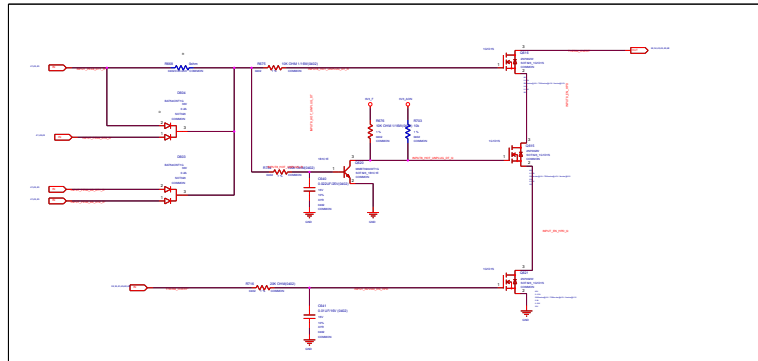
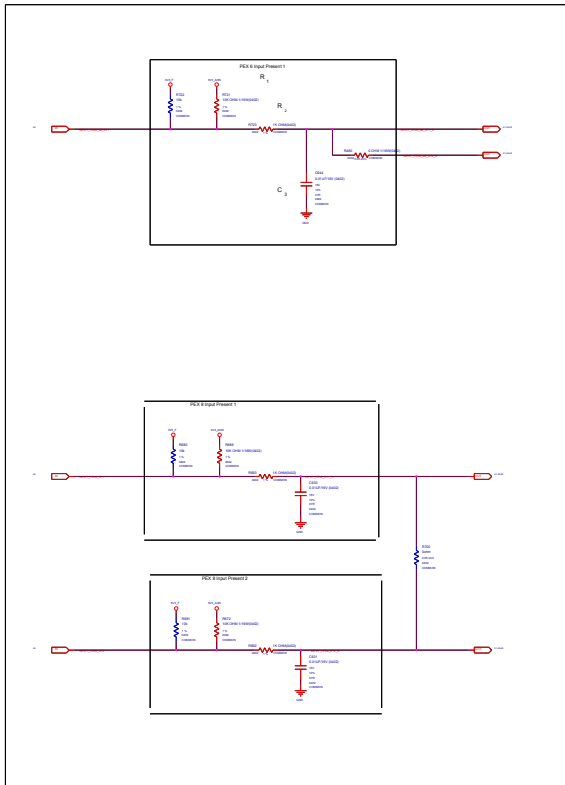


PEX 12V INPUT - 60W



PEX8 INPUT 2 - 2x4 PCIe CON 150W





Rev: 1.0
 Date: 11/11/2011
 Author: [Redacted]

INVIDIA CORPORATION

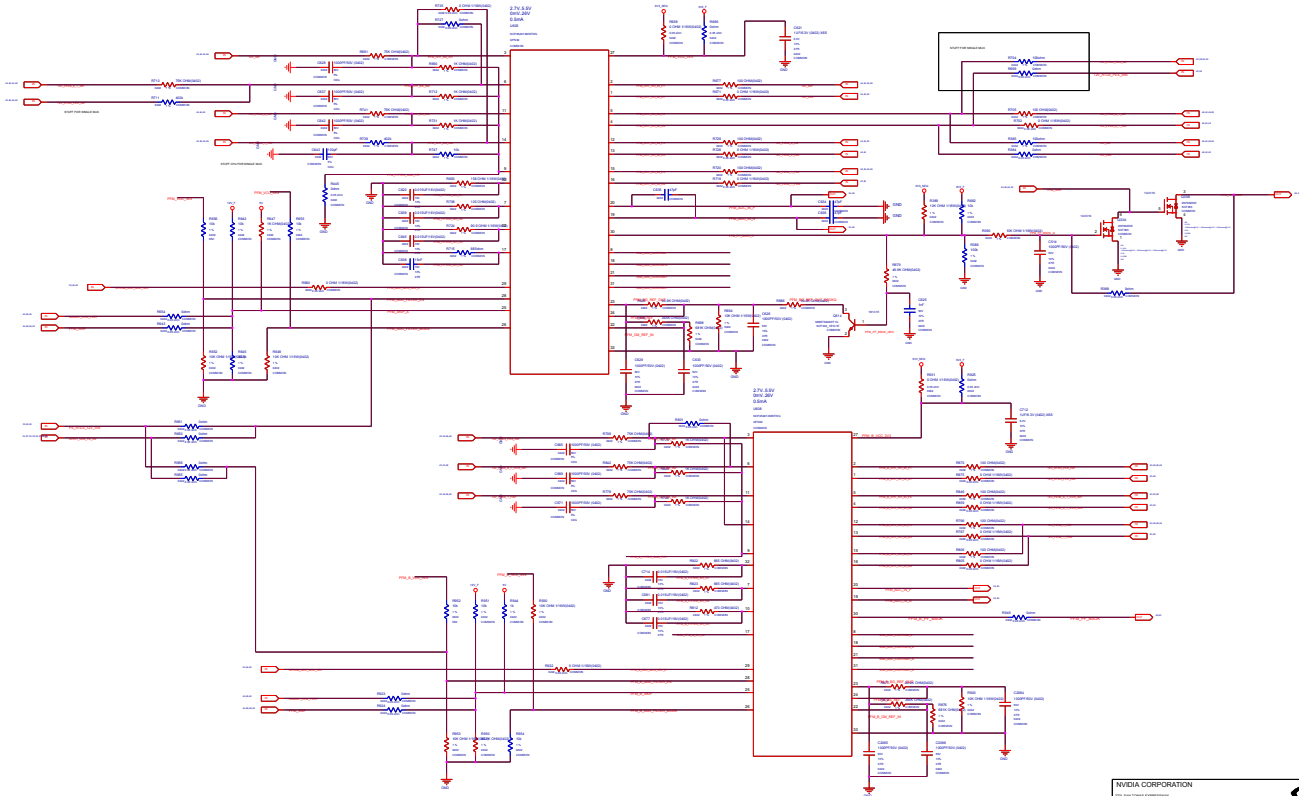
2500 Ave. of the Stars
 Santa Clara, CA 95050, USA

W_P1N 800-10180-BASE-200

Rev:	1.0	Date:	11/11/2011
Author:	[Redacted]	Appr:	[Redacted]
Check:	[Redacted]	Appr:	[Redacted]




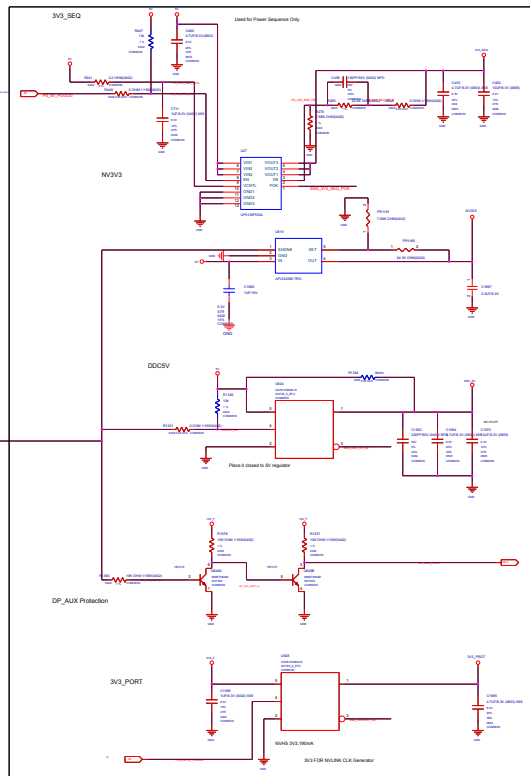
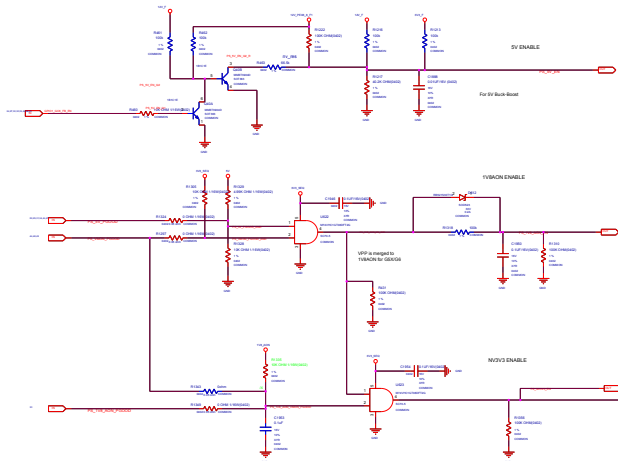
START OF LAYOUT DESIGN

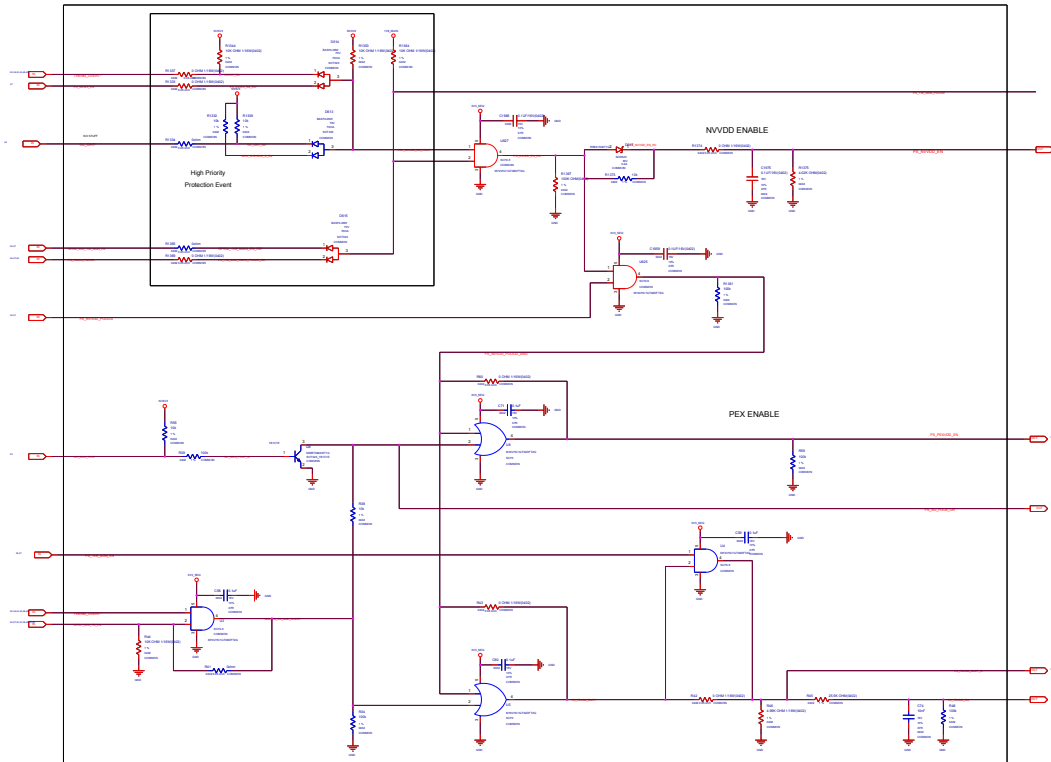


THIS DOCUMENT CONTAINS PROPRIETARY INFORMATION OF NVIDIA CORPORATION. IT IS THE PROPERTY OF NVIDIA CORPORATION AND IS NOT TO BE REPRODUCED OR TRANSMITTED IN ANY FORM OR BY ANY MEANS, ELECTRONIC OR MECHANICAL, INCLUDING PHOTOCOPYING, RECORDING, OR BY ANY INFORMATION STORAGE AND RETRIEVAL SYSTEM. ANY REPRODUCTION OR TRANSMISSION IN ANY FORM OR BY ANY MEANS WITHOUT THE WRITTEN PERMISSION OF NVIDIA CORPORATION IS EXPRESSLY PROHIBITED. NVIDIA CORPORATION AND ITS AFFILIATES MAKE NO REPRESENTATION OR WARRANTY AS TO THE ACCURACY, COMPLETENESS, OR SUITABILITY OF THIS DOCUMENT. NVIDIA CORPORATION AND ITS AFFILIATES SHALL BE LIABLE FOR DAMAGES AND OTHER LIABILITY ARISING FROM THE USE OF THIS DOCUMENT, INCLUDING BUT NOT LIMITED TO, DIRECT, INDIRECT, INCIDENTAL, AND CONSEQUENTIAL DAMAGES, EVEN IF ADVISED OF THE POSSIBILITY OF SUCH DAMAGE. TRADE SECRET OR PROPRIETARY INFORMATION.

DESIGNER	DESIGNER: JONATHAN
DATE	12/18/2008

NVIDIA CORPORATION		
200 SOUTH BERNARD STREET SANTA CLARA, CALIFORNIA, USA		
REV	600-1G180 BASE 200	
DATE	12/18/2008	10:58 AM
BY		





© 2012 NVIDIA CORPORATION. NVIDIA, the NVIDIA logo, and NVIDIA GeForce are trademarks or registered trademarks of NVIDIA Corporation in the United States and other countries. All other trademarks are the property of their respective owners. NVIDIA does not warrant the accuracy or completeness of the information contained herein, and the information is provided "AS IS" without warranty of any kind. NVIDIA is not responsible for any damages or losses resulting from the use of the information contained herein.

Version	1.0
Date	10/10/2012

NVIDIA CORPORATION

2001 Lakeridge Drive
Santa Clara, CA 95050

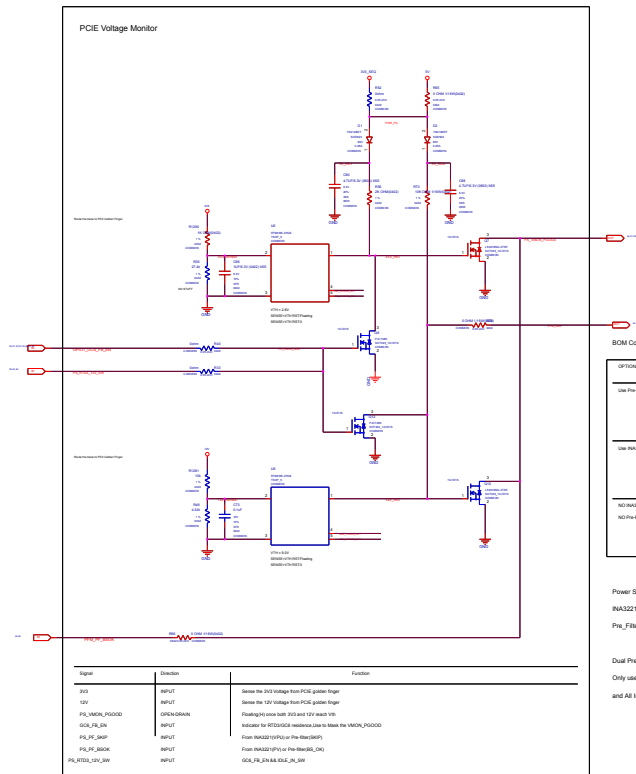
NV_PEX 600-10180-BASE-200

REV: 1.0

DATE: 10/10/2012

PAGE: 48 OF 54



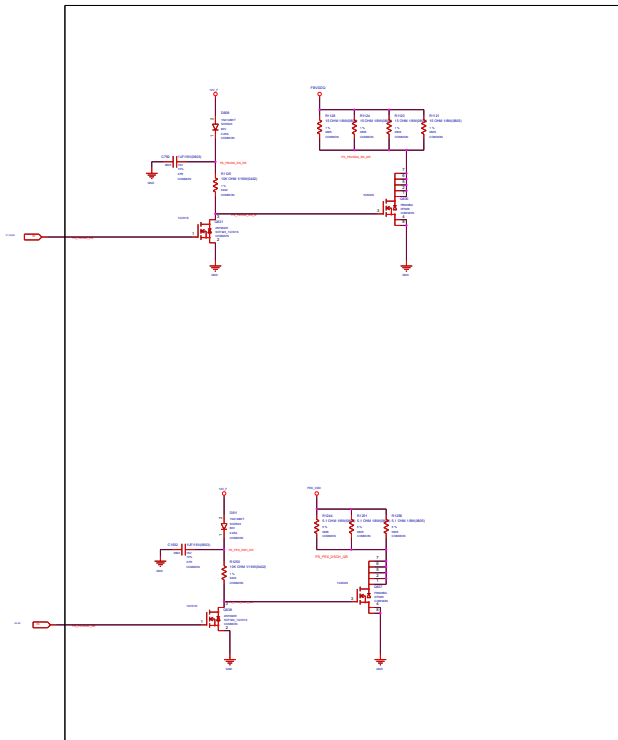


ALL INFORMATION CONTAINED HEREIN IS UNCLASSIFIED EXCEPT WHERE SHOWN OTHERWISE. THIS DOCUMENT INCLUDES TRADE AND PROPRIETARY INFORMATION THAT MAY BE SUBJECT TO PATENT RIGHTS. THIS DOCUMENT IS UNCLASSIFIED EXCEPT WHERE SHOWN OTHERWISE. THIS DOCUMENT IS UNCLASSIFIED EXCEPT WHERE SHOWN OTHERWISE.

REVISED: 2019-05-21
 REVISED: 2019-05-21

NIVIDA CORPORATION
 200 West 103rd Street
 Austin, TX 78750, USA

REV. #	800-1G180-BASE-200	DATE	09/18/19
ISSUED BY	REVISED BY	DATE	ISSUED BY



ALL RIGHTS RESERVED. UNPUBLISHED INFORMATION. PROPRIETARY AND CONFIDENTIAL. THESE DOCUMENTS, SPECIFICATIONS, AND/OR INFORMATION ARE NOT TO BE REPRODUCED, COPIED, OR TRANSMITTED IN ANY FORM OR BY ANY MEANS, ELECTRONIC OR MECHANICAL, INCLUDING PHOTOCOPYING, RECORDING, OR BY ANY INFORMATION STORAGE AND RETRIEVAL SYSTEM. ANY REPRODUCTION OR TRANSMISSION OF THIS DOCUMENT IS STRICTLY PROHIBITED. THIS DOCUMENT IS UNCLASSIFIED AND UNCONTROLLED.

DATE	REVISED
10/18/2000	1.0

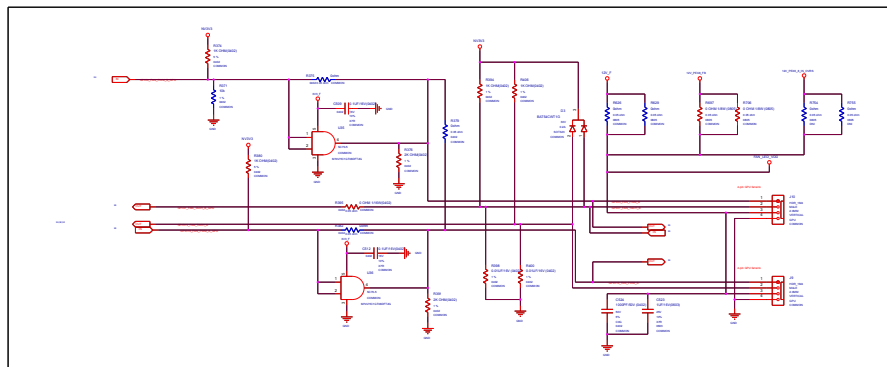
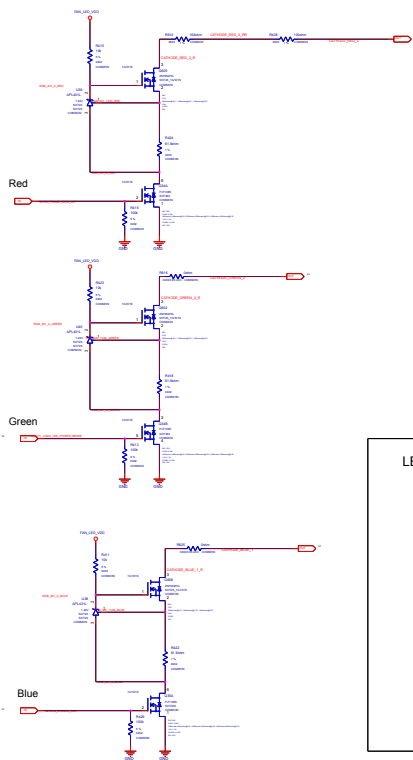
WINDA CORPORATION

2001 SAN TIBURCIO AVENUE
 SAN JOSE, CALIFORNIA 95128-1000

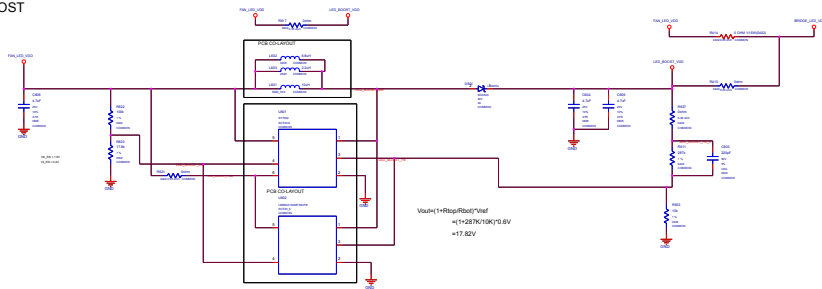
FILE NAME: 800-10180-BASE-200

DATE	REVISED	BY	APPROVED
10/18/2000	1.0		





LED BOOST



NVIDIA CORPORATION

2211 Ave. Thomas Expressway
Santa Clara, CA 95050, USA

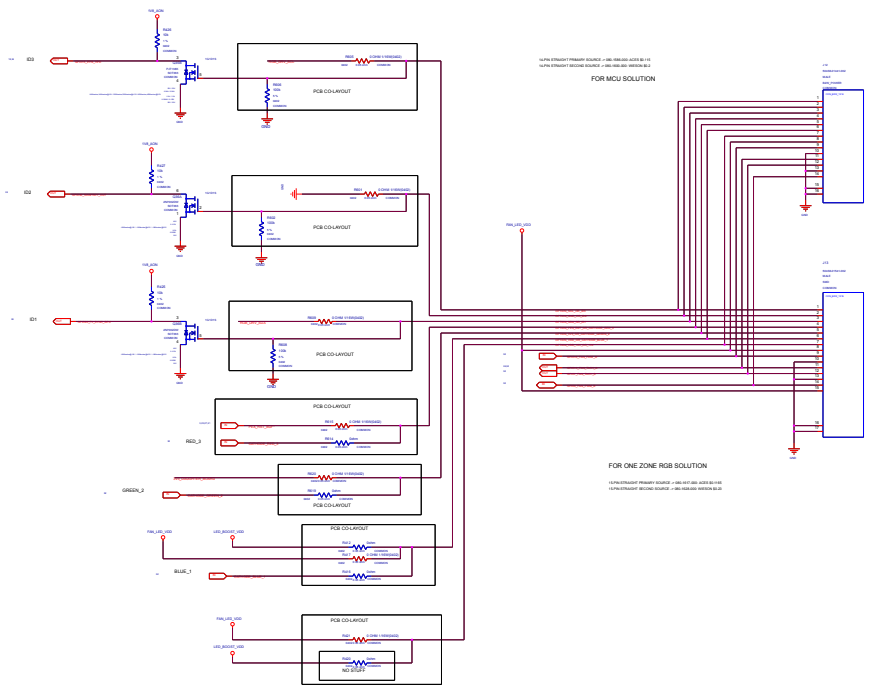
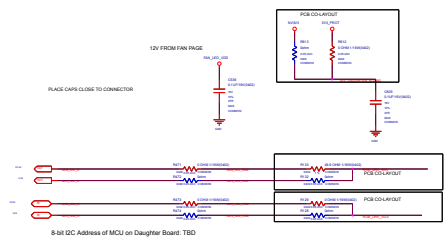
PCI_V1 850-10180-BASE-200

REV: 1.0

DATE: 10/20/2009



PROPERTY	UNLESS OTHERWISE SPECIFIED
UNIT: MILLIMETER	UNIT: INCH




THIS DOCUMENT CONTAINS PROPRIETARY INFORMATION OF NVIDIA CORPORATION. IT IS UNCLASSIFIED AND UNCONTROLLED UNLESS INDICATED OTHERWISE. IT IS THE PROPERTY OF NVIDIA CORPORATION AND IS NOT TO BE REPRODUCED OR TRANSMITTED IN ANY FORM OR BY ANY MEANS, ELECTRONIC OR MECHANICAL, INCLUDING PHOTOCOPYING, RECORDING, OR BY ANY INFORMATION STORAGE AND RETRIEVAL SYSTEM. ANY REPRODUCTION OR TRANSMISSION OF THIS DOCUMENT WITHOUT THE WRITTEN PERMISSION OF NVIDIA CORPORATION IS STRICTLY PROHIBITED. © 2012 NVIDIA CORPORATION. ALL RIGHTS RESERVED.

REV	DESCRIPTION
1.0	INITIAL RELEASE

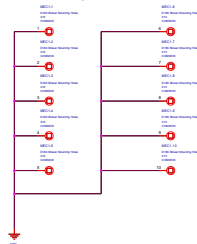
NVIDIA CORPORATION
 2700 SAN JUAN AVENUE
 SANTA CLARA, CA 95050, USA

REV: 1.0
 PART NUMBER: **800-10180 BASE 200**
 DATE: 08/20/12





Mechanical Holes Symbol



Brackets:



Bracket Screw



STIFFENER



1. This document is confidential, proprietary information. No part of this document may be reproduced, stored in a retrieval system, or transmitted in any form or by any means, electronic, mechanical, photocopying, recording, or otherwise, without the prior written permission of NVIDIA CORPORATION. NVIDIA CORPORATION AND ITS AFFILIATES MAKE NO WARRANTY OF ANY KIND, EXPRESS OR IMPLIED, FOR THE SOFTWARE OR INFORMATION AND ANY RELATED DOCUMENTS OR MATERIALS PROVIDED HEREIN, INCLUDING THE ACCURACY, COMPLETENESS, OR QUALITY OF ANY INFORMATION, SOFTWARE, OR MATERIALS PROVIDED HEREIN. NVIDIA CORPORATION AND ITS AFFILIATES MAKE NO WARRANTY OF ANY KIND, EXPRESS OR IMPLIED, FOR THE SOFTWARE OR INFORMATION AND ANY RELATED DOCUMENTS OR MATERIALS PROVIDED HEREIN, INCLUDING THE ACCURACY, COMPLETENESS, OR QUALITY OF ANY INFORMATION, SOFTWARE, OR MATERIALS PROVIDED HEREIN.

Author:	Shawn Anderson
Rev:	1.0

NVIDIA CORPORATION

2007 Ave. of the Sciences
Santa Clara, CA 95051, USA



TN_PN 800-10180-BASE-200

Doc ID:	1000000000000000	Rev:	1.0
Date:	2007-01-01	Page:	54 of 54